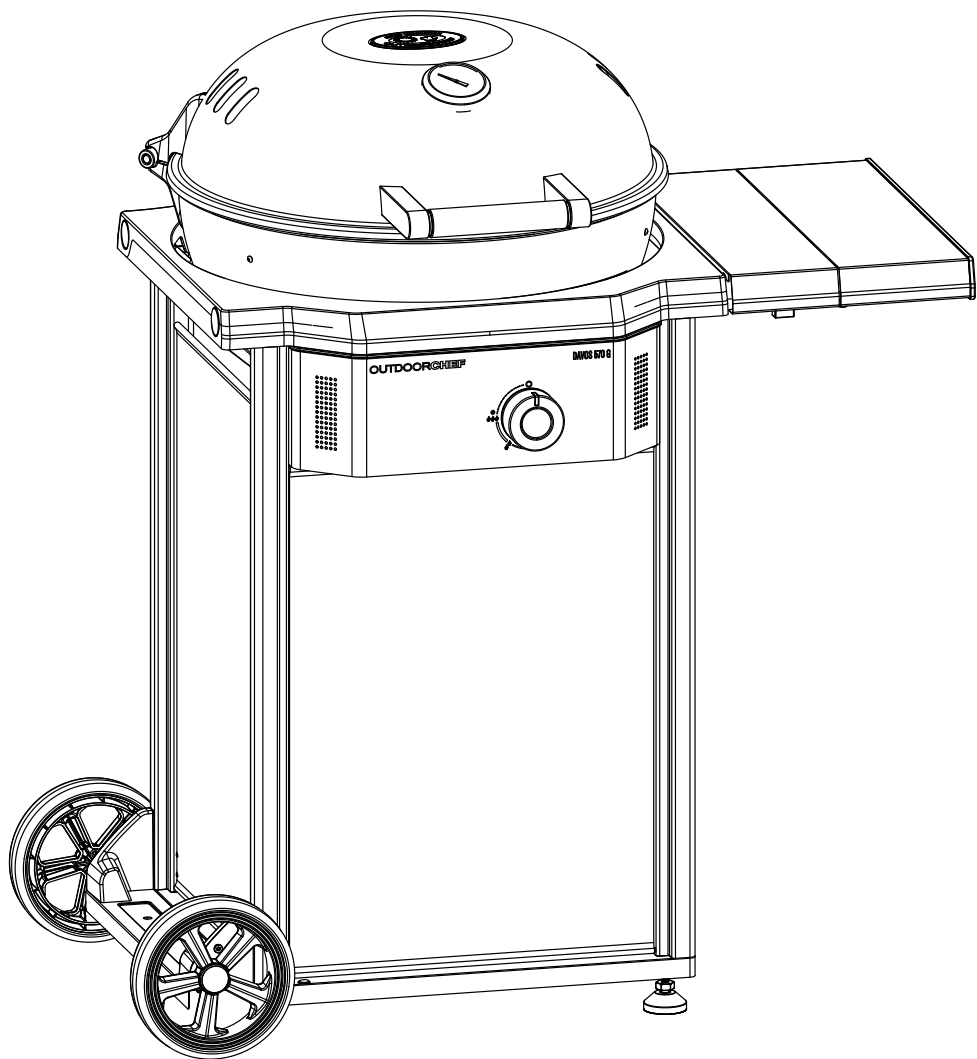


DAVOS 570 G

Aufbauanleitung | Assembly Instruction



OUTDOORCHEF
SWISS INNOVATION

Achtung

Bitte notieren Sie auf der Rückseite Ihrer Gebrauchsanweisung die Serien-Nummer. Je nach Grillmodell finden Sie die Nummer auf dem Datensticker, welcher sich entweder am Grillgestell oder auf der Bodenplatte befindet. **OUTDOORCHEF** kann Garantie und Ersatzteillieferungen nur mit der Serien-Nummer bearbeiten. Outdoorchef AG operates a policy of continuous product development and improvement. As such we reserve the right to alter product design and or technical specification without giving any prior notice.

Attention

Please write your serial number on the backside of the manual for future reference. You will find the number on the data plate attached to the trolley or the bottom plate depending on the grill model. **OUTDOORCHEF** can only supply spare parts and honour warranty returns when the serial number is available.

INHALTSVERZEICHNIS | TABLE OF CONTENTS

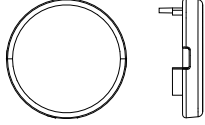
| | |
|----------|---|
| S. 4-5 | Montagematerial Hardware Set |
| S. 7-28 | Aufbauanleitung Assembly Instruction |
| S. 29 | Sicherheitshinweis Safety Instruction |
| S. 30-31 | Ersatzteile Spare Parts |

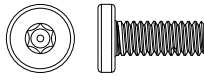
Lesen Sie die separate Bedienungsanleitung sorgfältig durch, bevor Sie Ihren **OUTDOORCHEF** Grill in Betrieb nehmen.

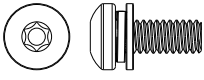
Please read the separate user manual carefully before using your **OUTDOORCHEF** Barbeque.

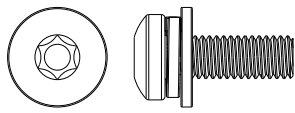
DAVOS 570 G

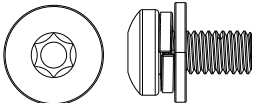
18.379.65


| Wheel cap | | |
|----------------|--|---|
| 2x | |  |
| Art. 18.360.92 | | |

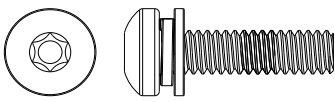
| M5 x8 | | |
|----------------|----|---|
| 4x | zb |  |
| Art. 18.371.92 | | |

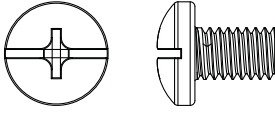
| M5 x 13 | | |
|----------------|----|---|
| 16x | xp |  |
| Art. 18.371.62 | | |

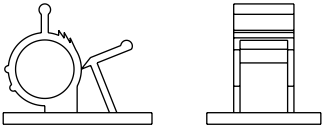
| M6 x 18 | | |
|----------------|----|---|
| 25x | xr |  |
| Art. 18.371.61 | | |

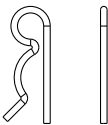
| M6 x 13 | | |
|----------------|----|--|
| 12x | xo |  |
| Art. 18.371.72 | | |


| Teflon washer | | |
|----------------|---|--|
| 12x | z |  |
| Art. 18.370.76 | | |


| M5 x 24 | | |
|----------------|----|---|
| 4x | za |  |
| Art. 18.371.91 | | |

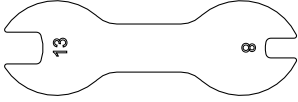
| M4 x8 | | |
|----------------|---|---|
| 2x | j |  |
| Art. 18.370.23 | | |

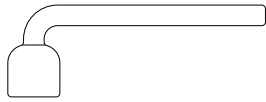
| Cable Tree Fixation Clip | | |
|--------------------------|----|---|
| 1x | an |  |
| Art. 18.371.43 | | |


| Lock Pin | | |
|----------------|--|---|
| 2x | |  |
| Art. 18.372.14 | | |

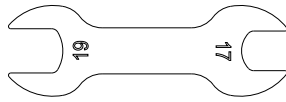
| Crosshead screwdriver B (85mm) | | |
|--------------------------------|----|---|
| 1x | as |  |
| Art. 18.371.49 | | |

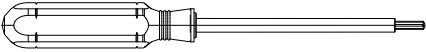
| Screwdriver M6 | | |
|----------------|----|---|
| 1x | az |  |
| Art. 18.371.76 | | |


| Open end wrench (S 8 + S 13) | | |
|------------------------------|----|---|
| 1x | ba |  |
| Art. 18.371.78 | | |


| Socket wrench (S 10) | | |
|----------------------|----|---|
| 1x | bm |  |
| Art. 18.372.10 | | |

| Socket wrench M6 | | |
|------------------|----|---|
| 1x | au |  |
| Art. 18.371.70 | | |

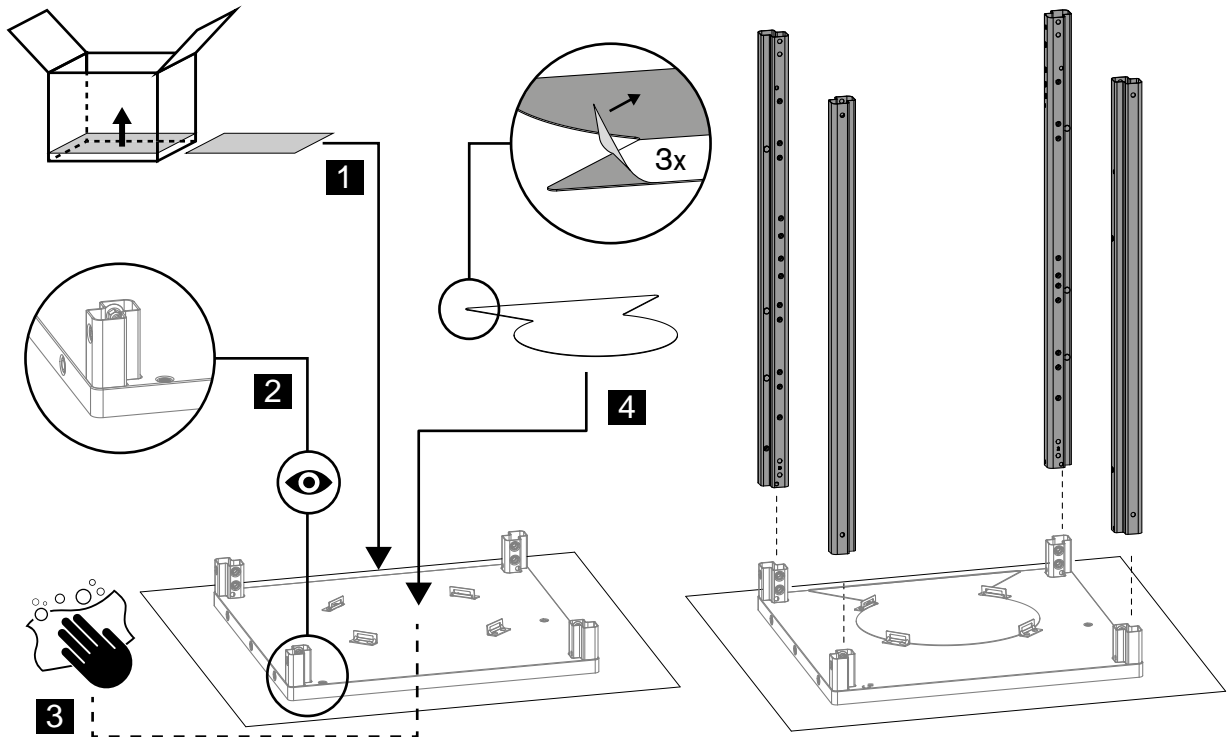
| Open end wrench (S 17 + S 19) | | |
|-------------------------------|----|---|
| 2x | ap |  |
| Art. 18.371.46 | | |

| Screwdriver M5 | | |
|----------------|----|--|
| 1x | ay |  |
| Art. 18.371.75 | | |

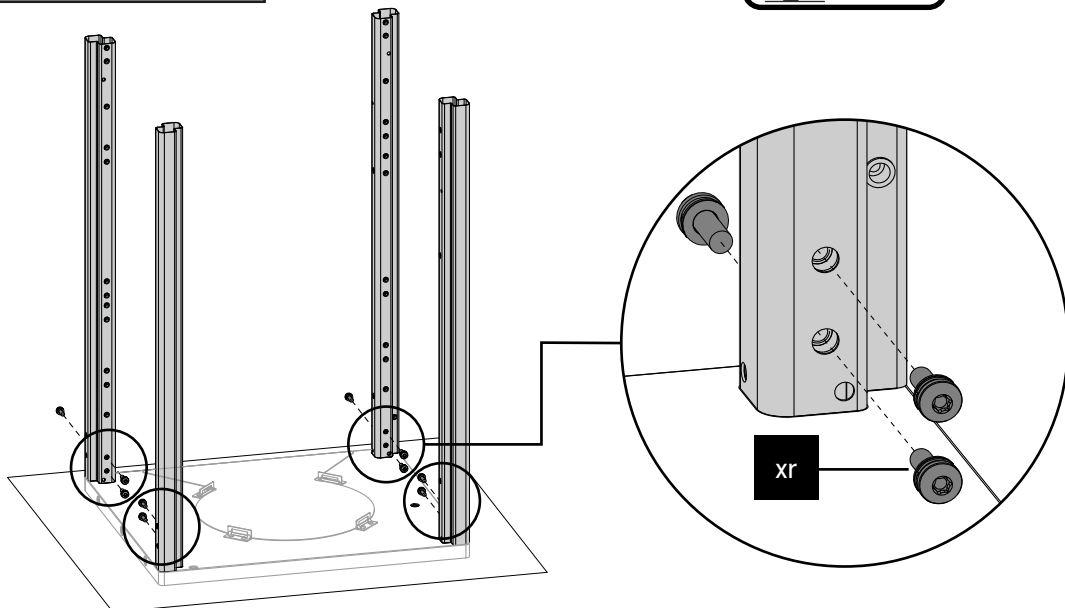
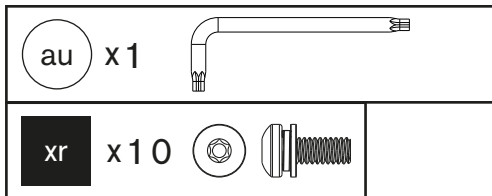
| Socket wrench M5 | | |
|------------------|----|--|
| 1x | at |  |
| Art. 18.371.69 | | |

| NON rechargeable battery 1.5V (AAA) | | |
|-------------------------------------|--|---|
| 4x | |  |
| | | |

1.


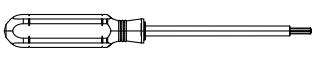
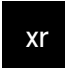
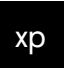


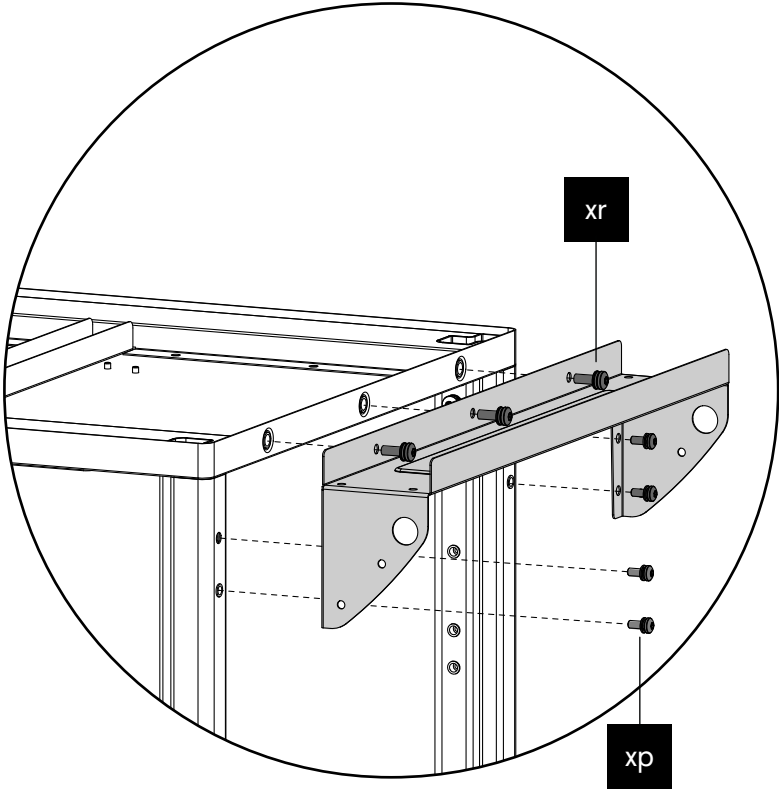
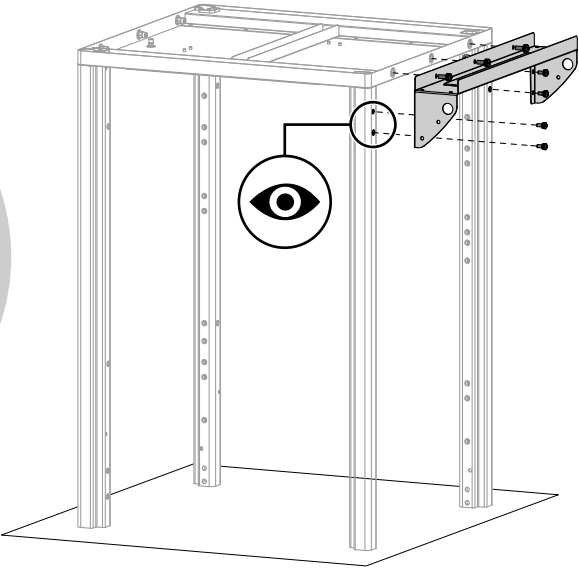
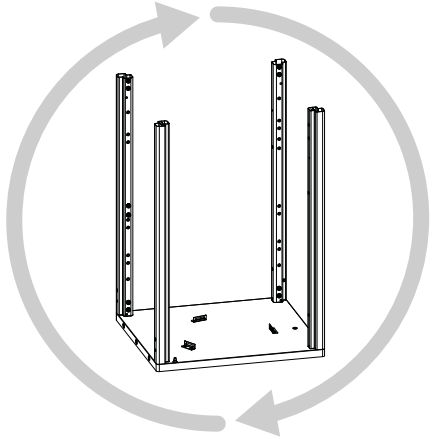
2.



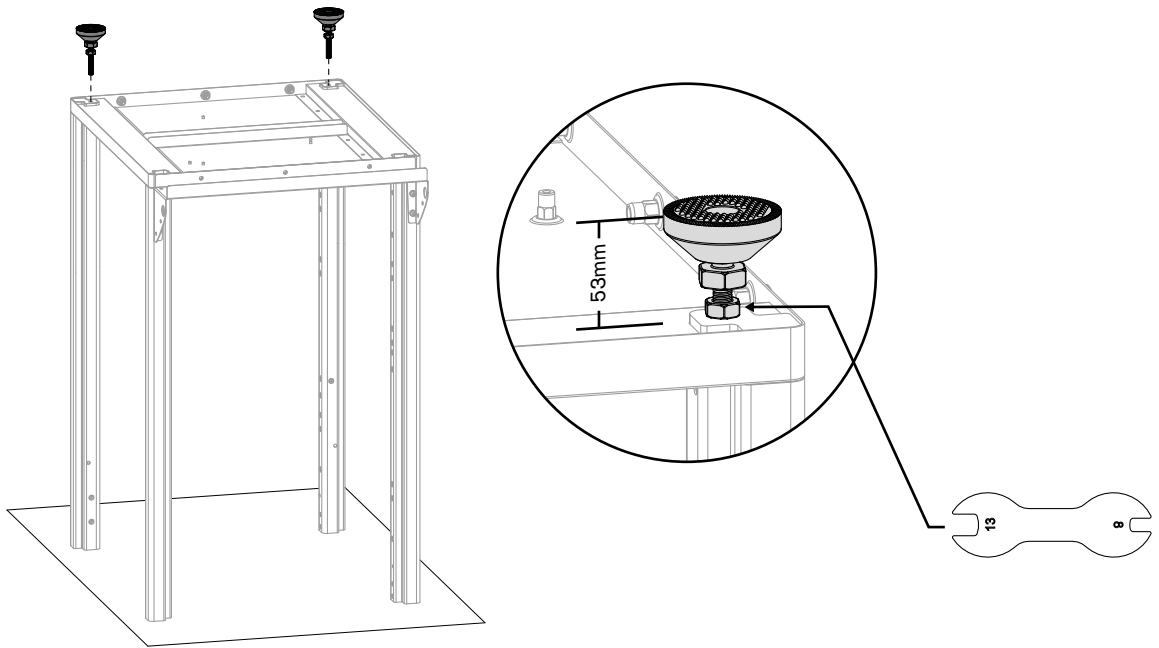
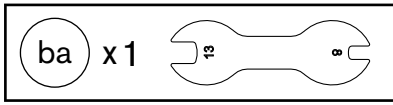
DAVOS 570 G

3.

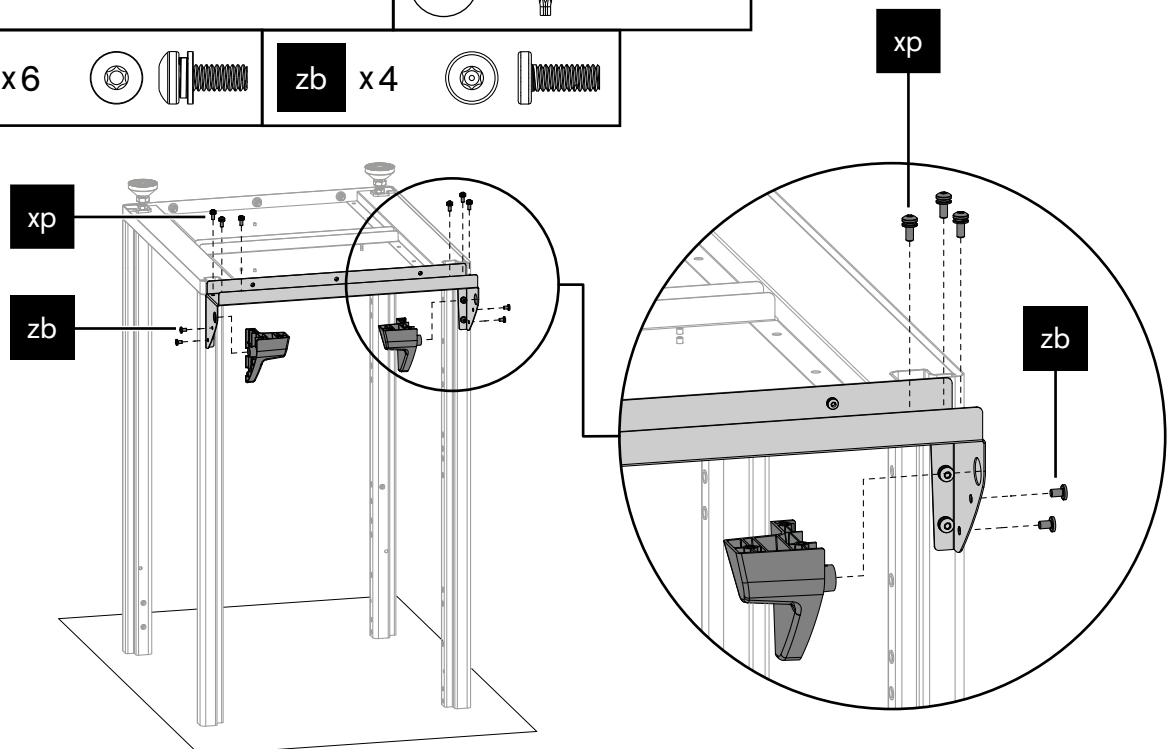
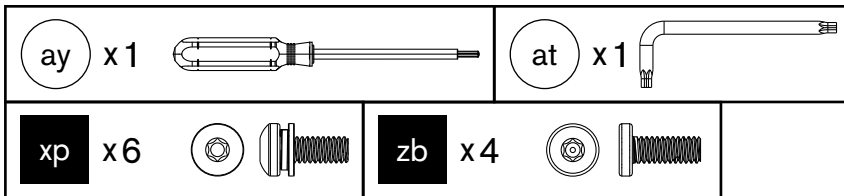
| | |
|---|--|
|  au x1 |  ay x1 |
|  xr x3 |  xp x4 |



4.

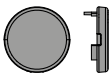
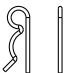


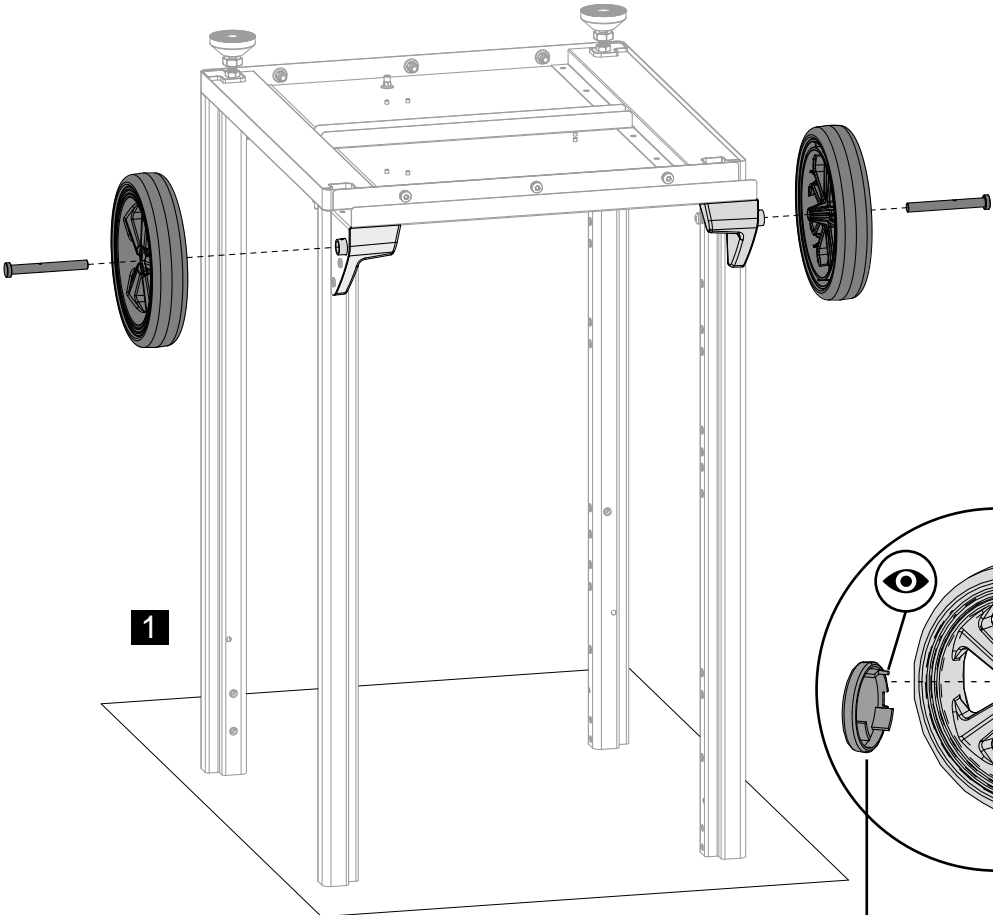
5.



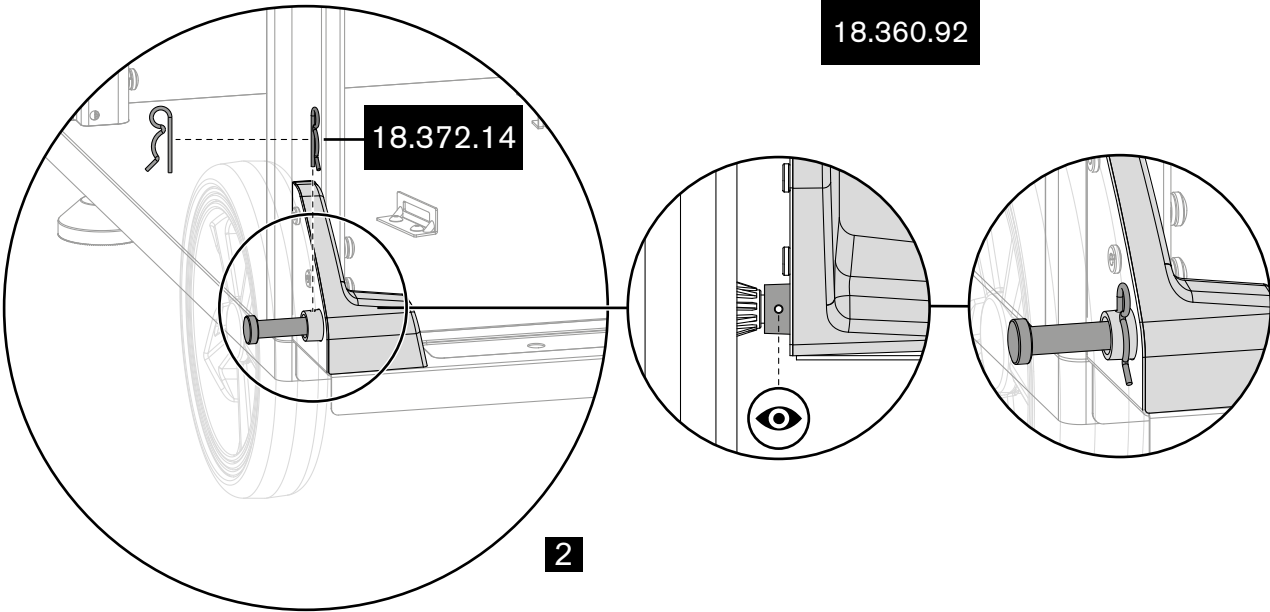
DAVOS 570 G

6.

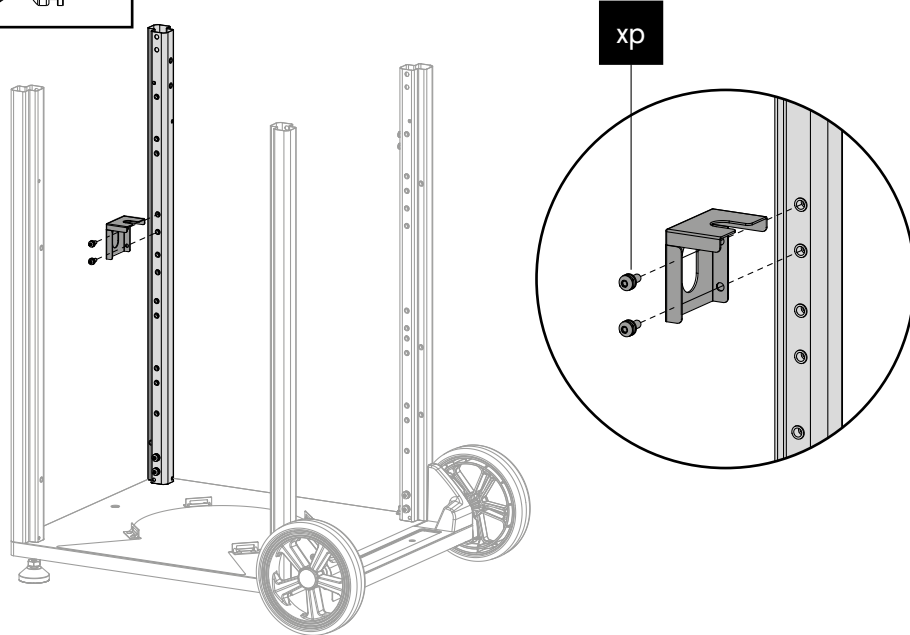
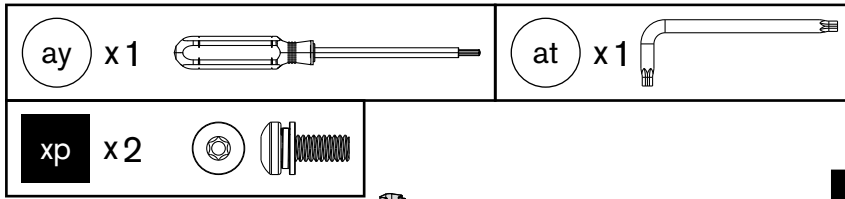
| | | | |
|---------------------|---|---------------------|---|
| 18.360.92 x2 |  | 18.372.14 x2 |  |
|---------------------|---|---------------------|---|



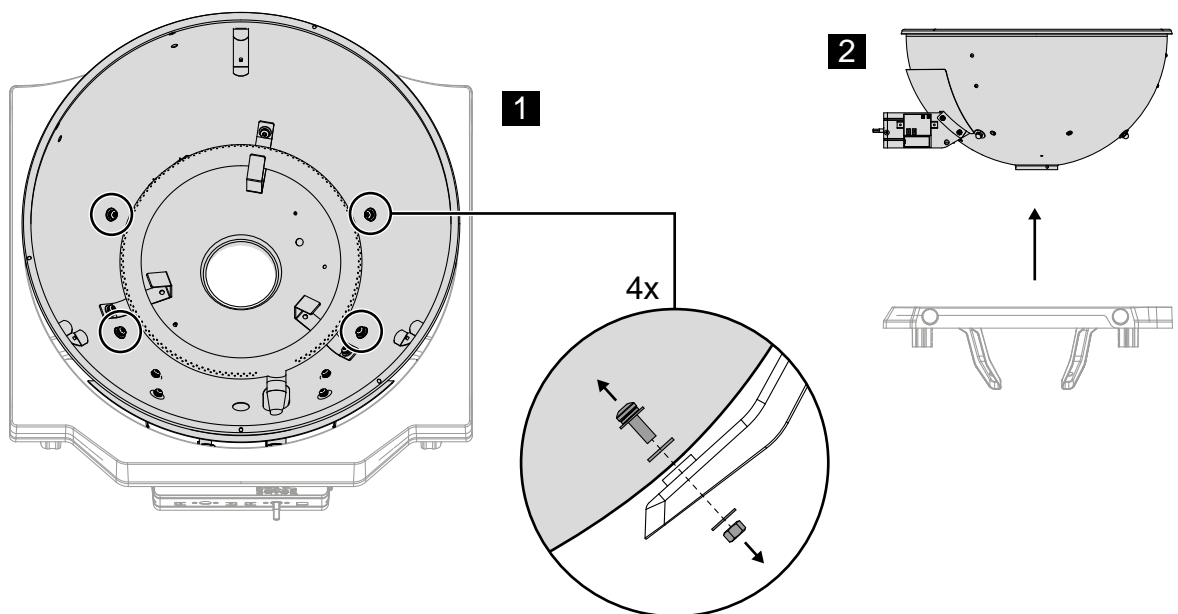
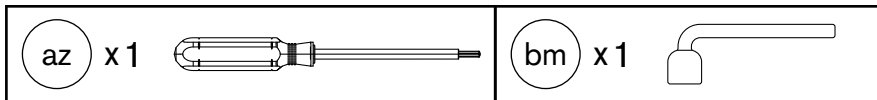
18.360.92



7.

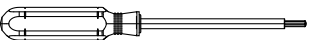
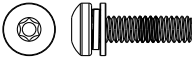


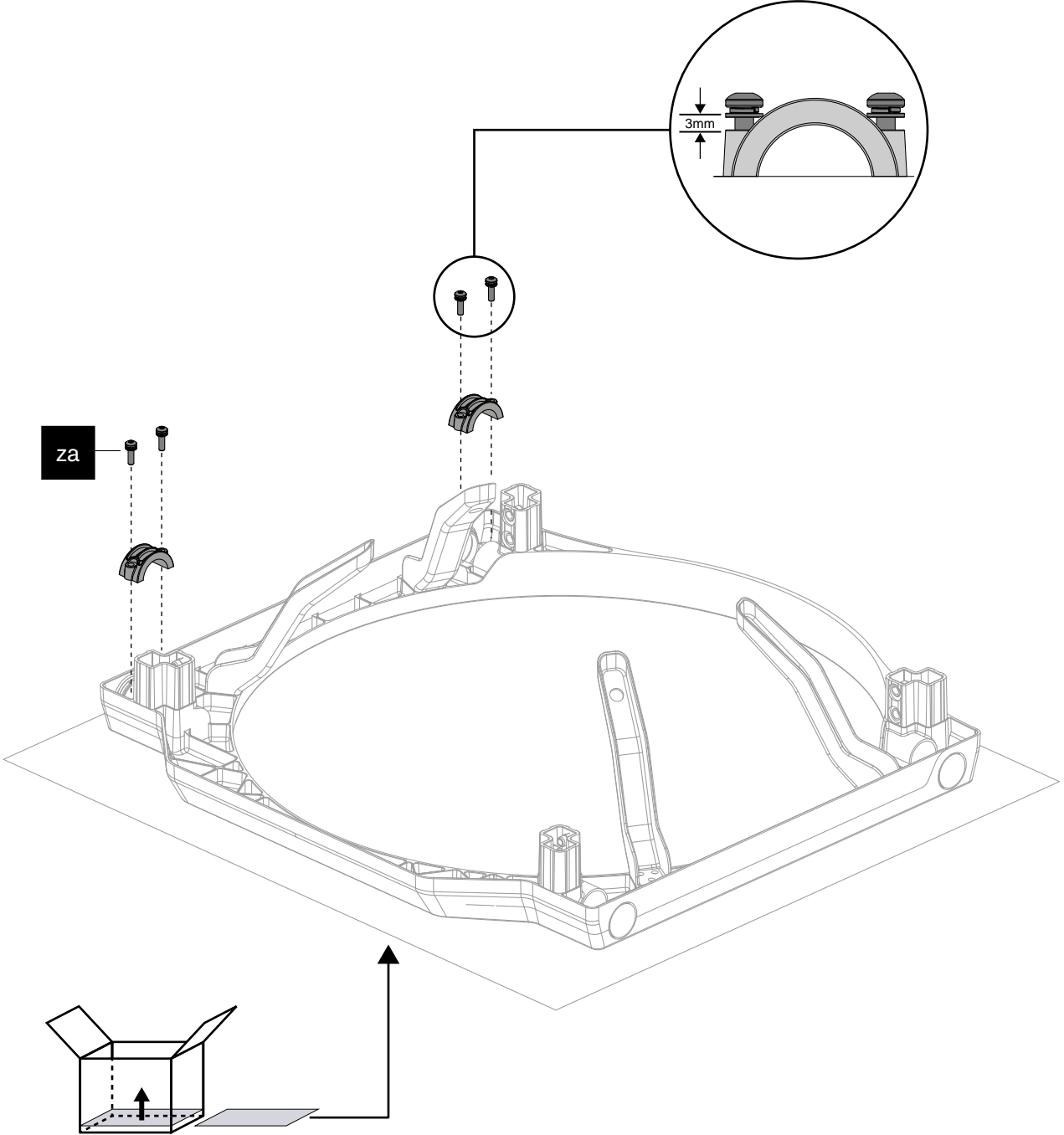
8.



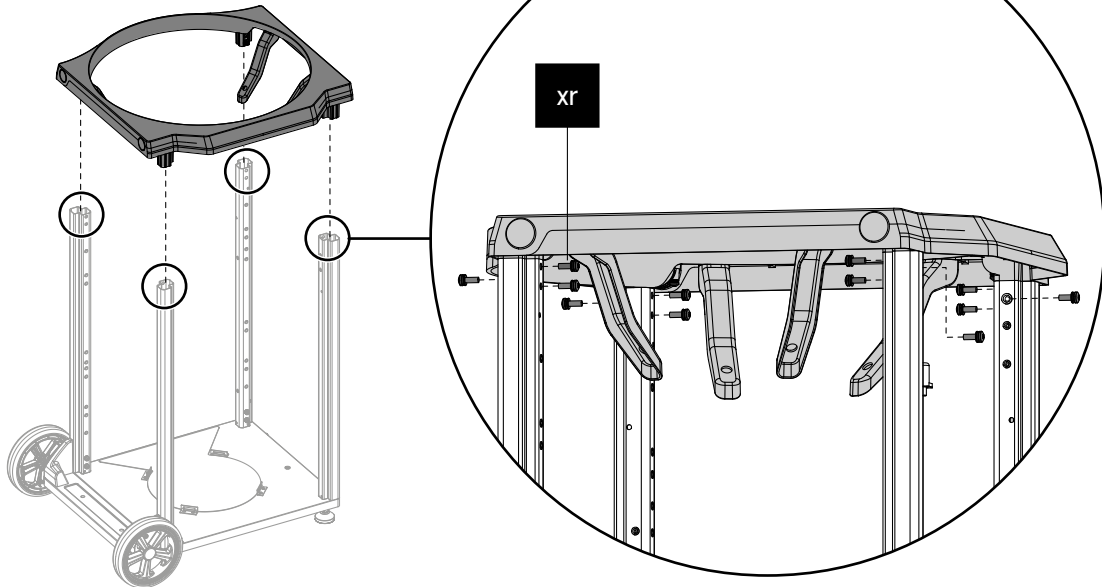
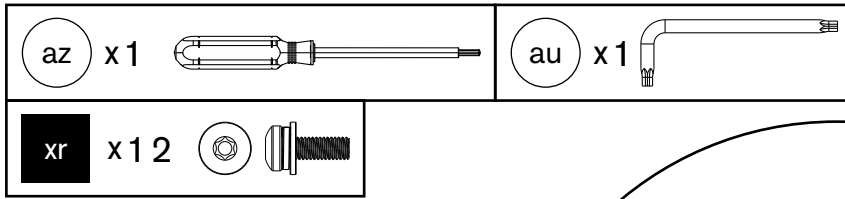
DAVOS 570 G

9.

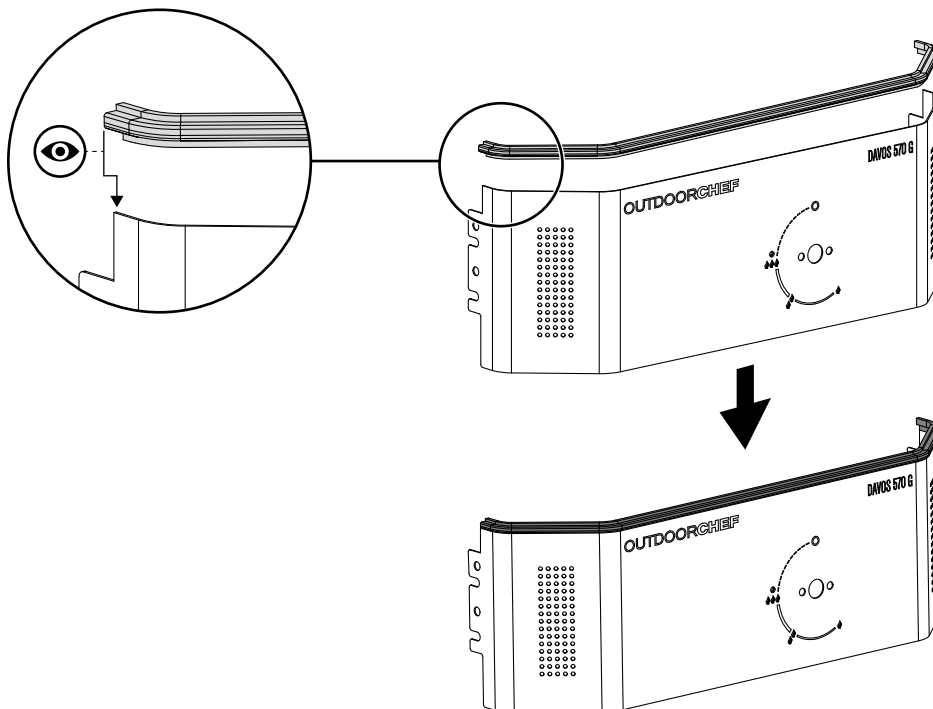
| | | |
|----|----|---|
| ay | x1 |  |
| za | x4 |  |



10.

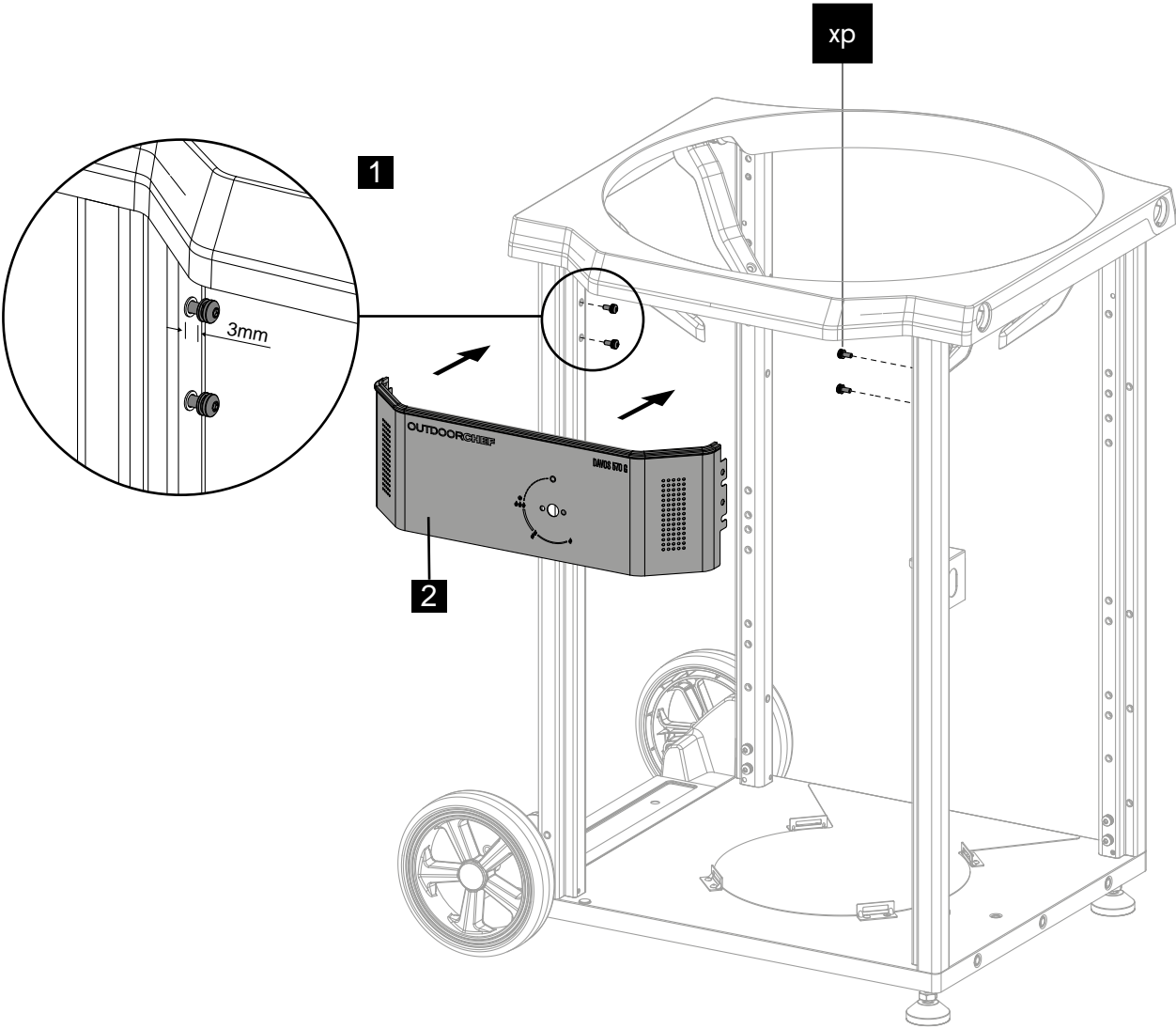


11.

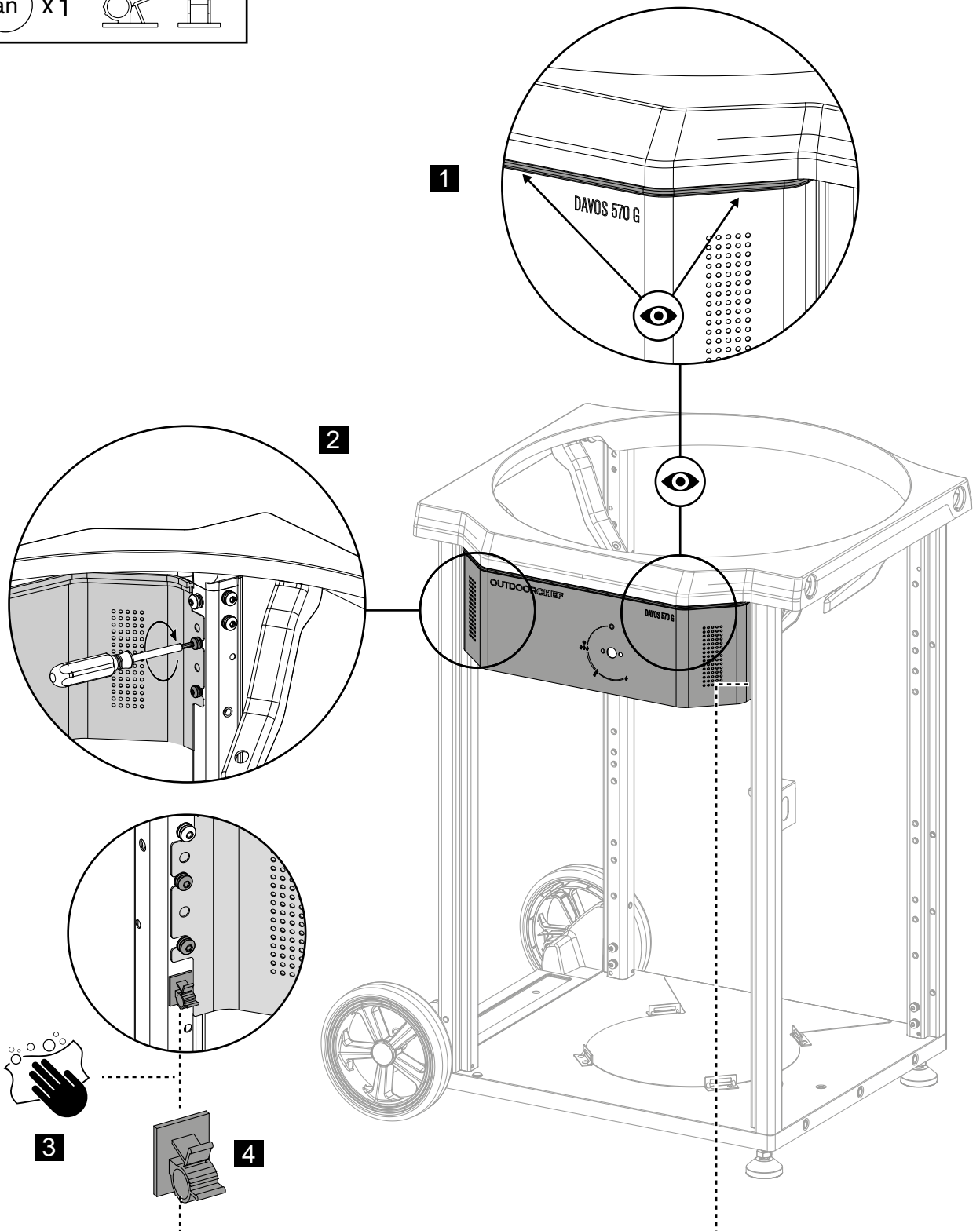
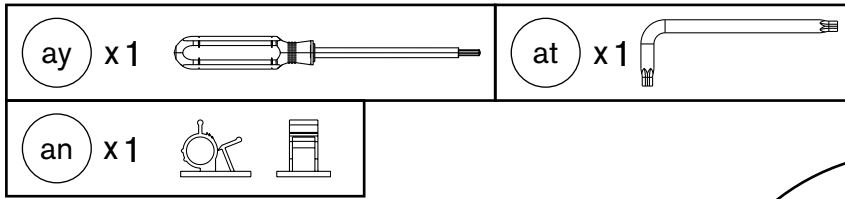


DAVOS 570 G

12.

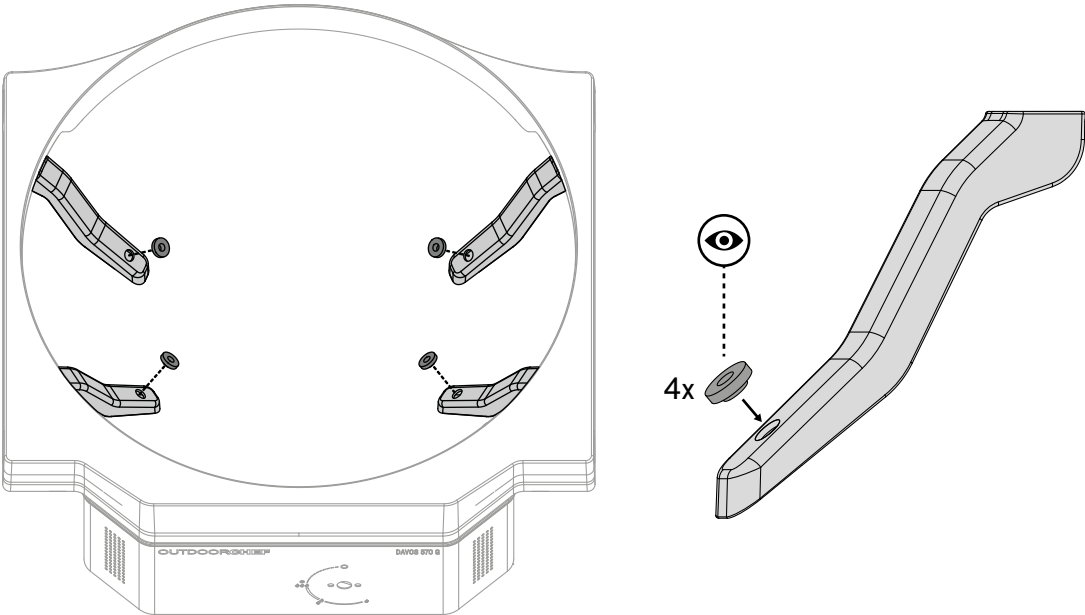


13.

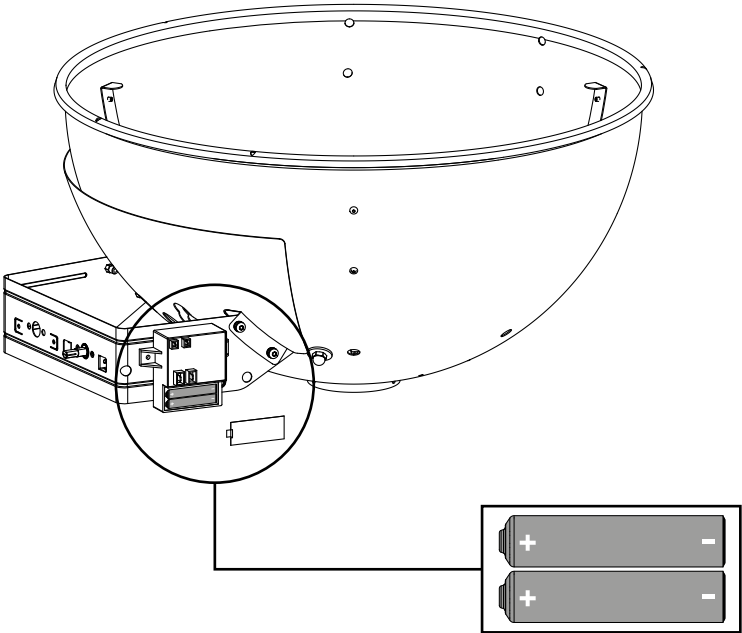
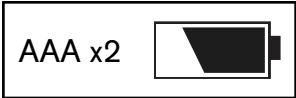


DAVOS 570 G

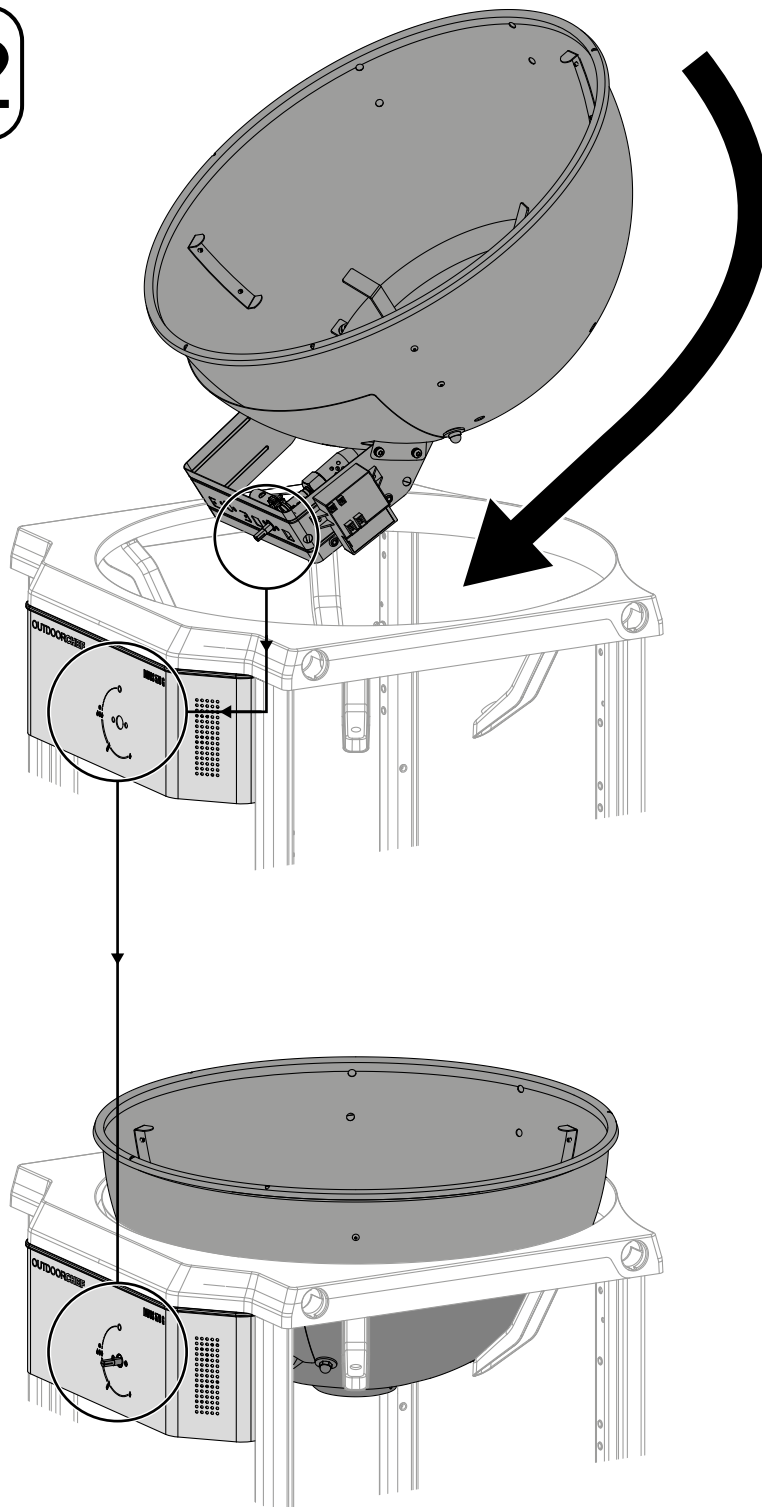
14.



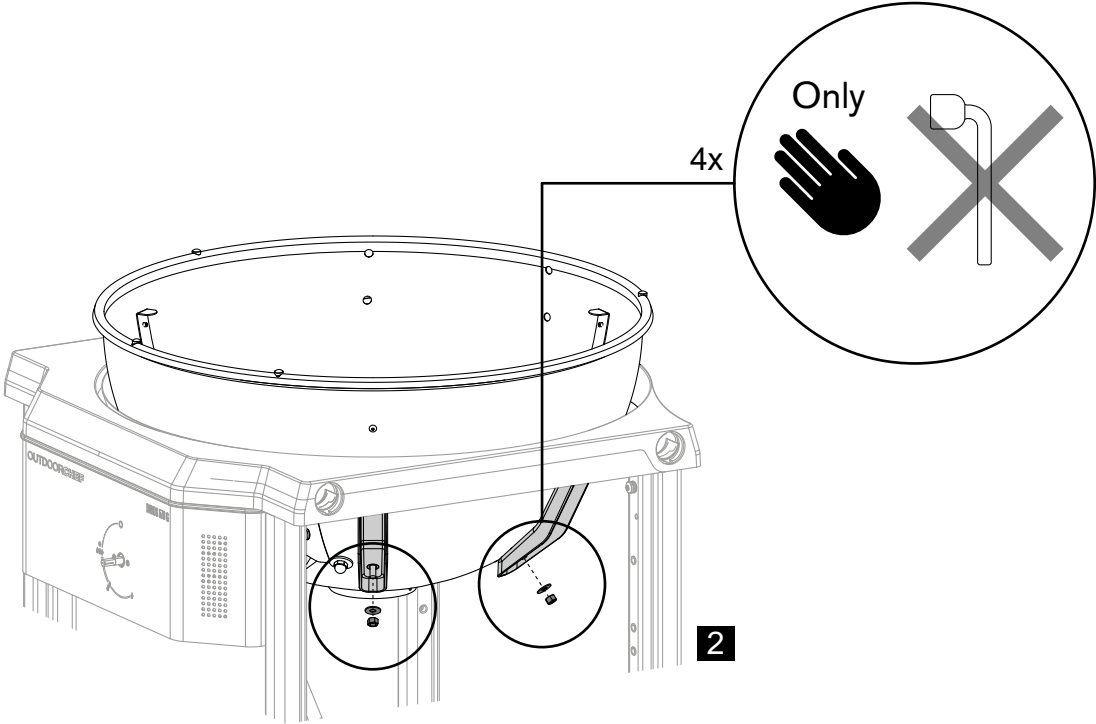
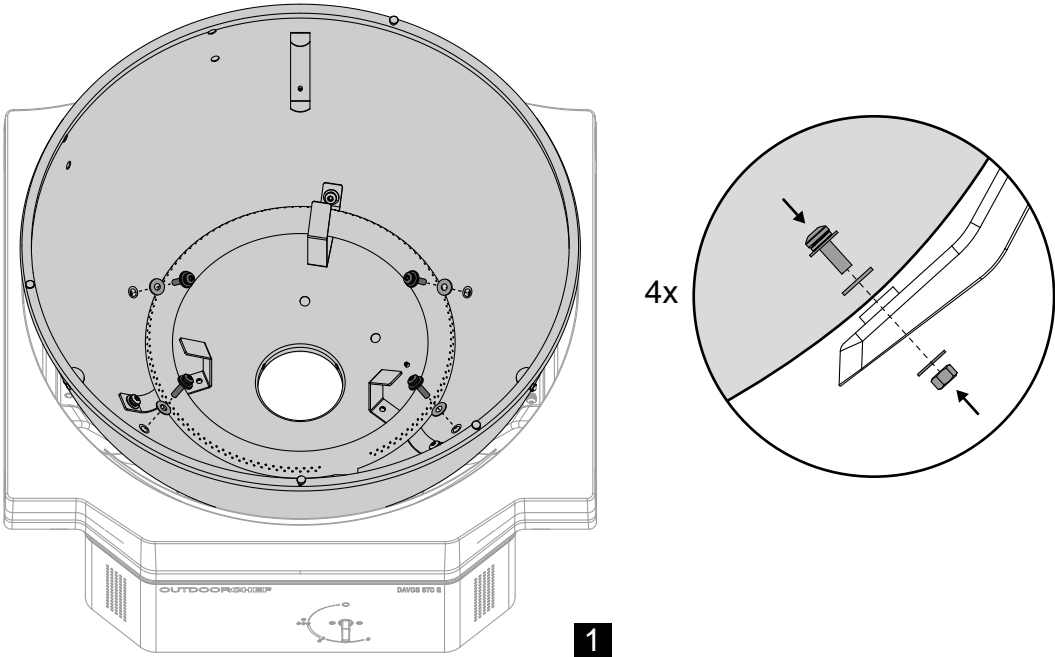
15.



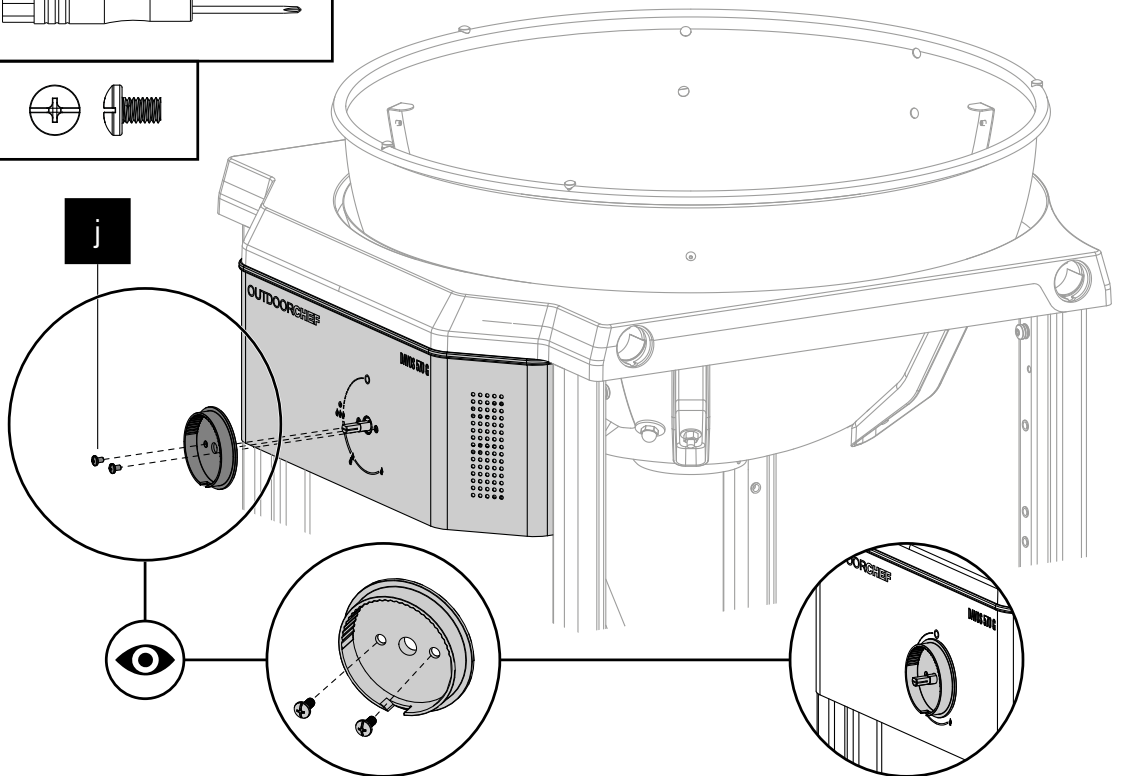
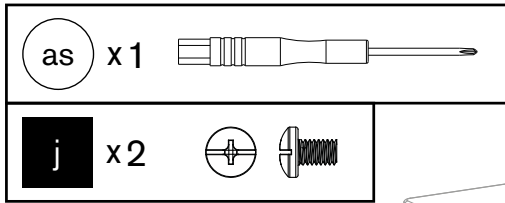
16.



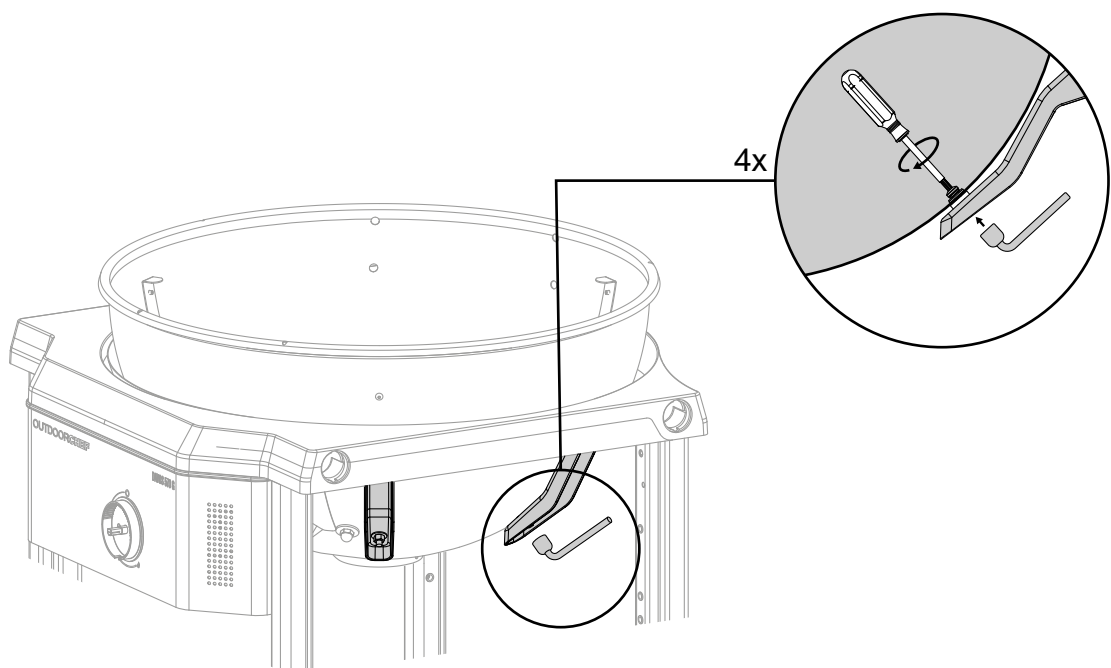
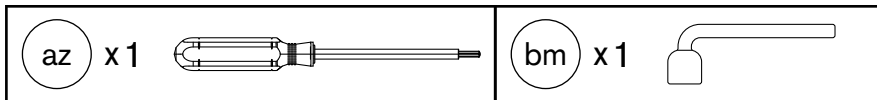
17.



18.

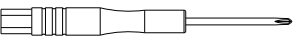



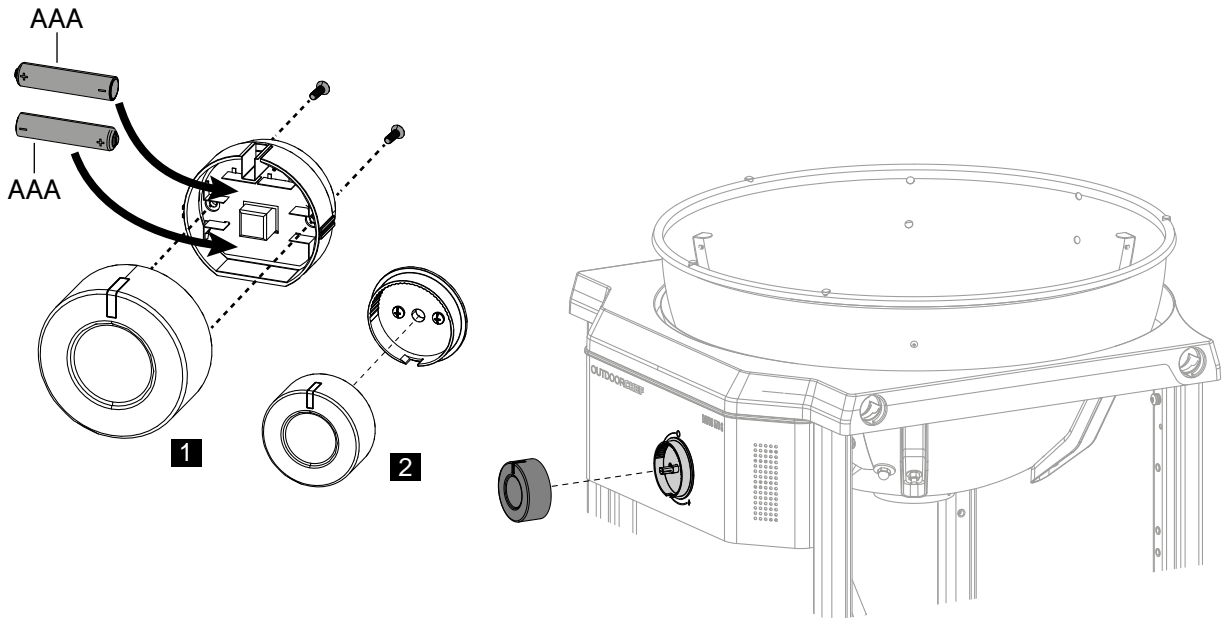
19.



DAVOS 570 G

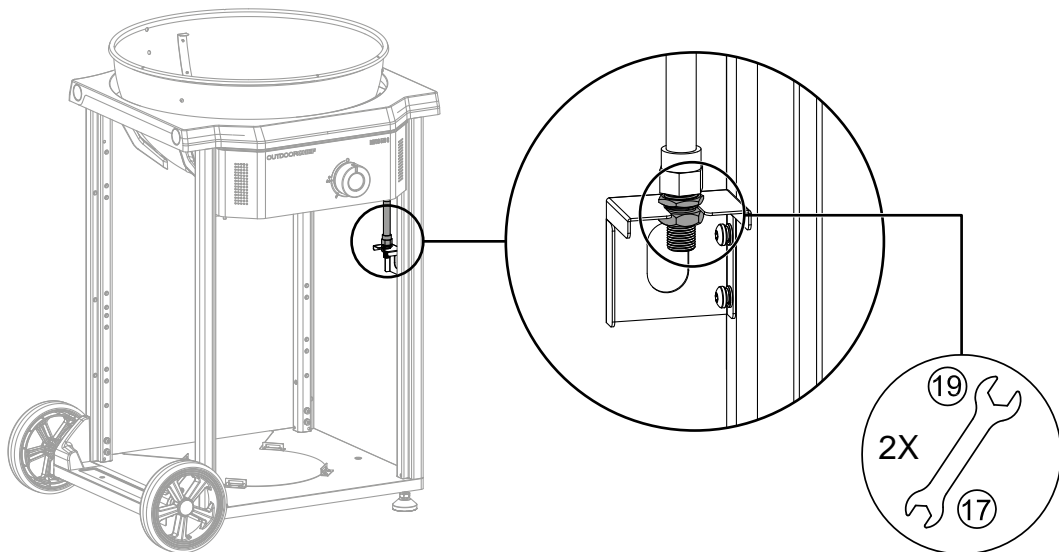
20.

| | |
|--|---|
|  as x1 | AAA x2  |
|--|---|

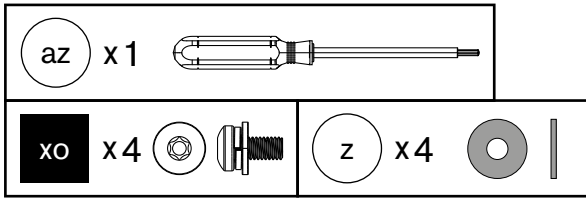


21.

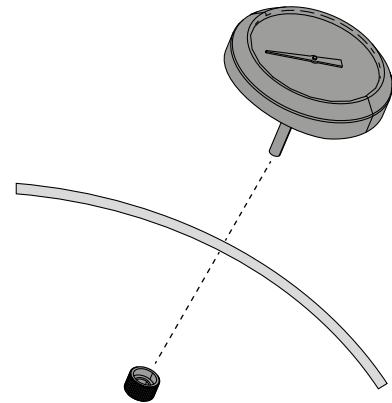
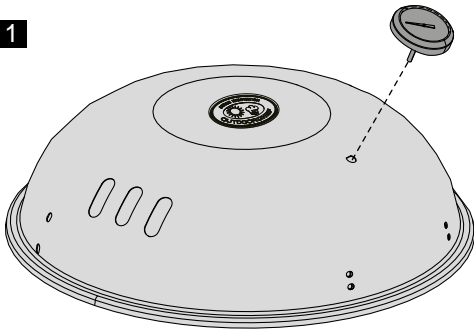
| |
|--|
|  ap x2 |
|--|



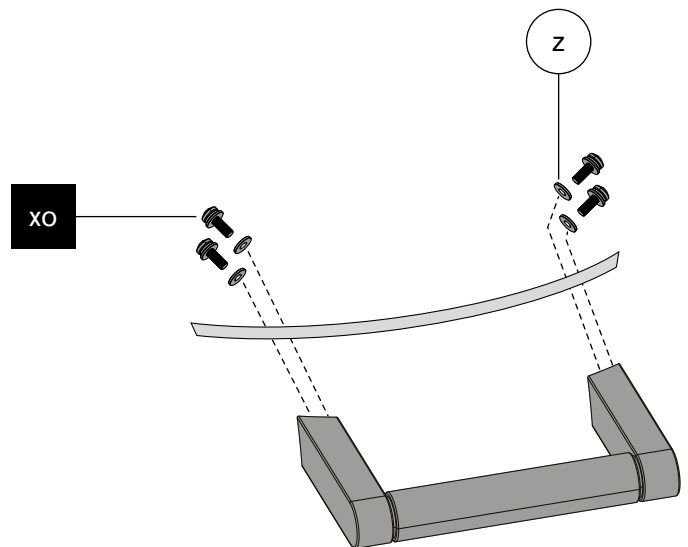
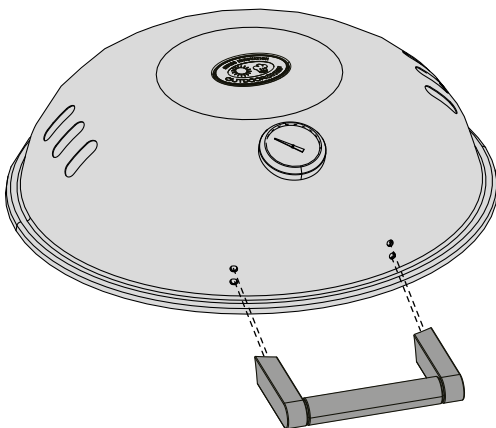
22.



1



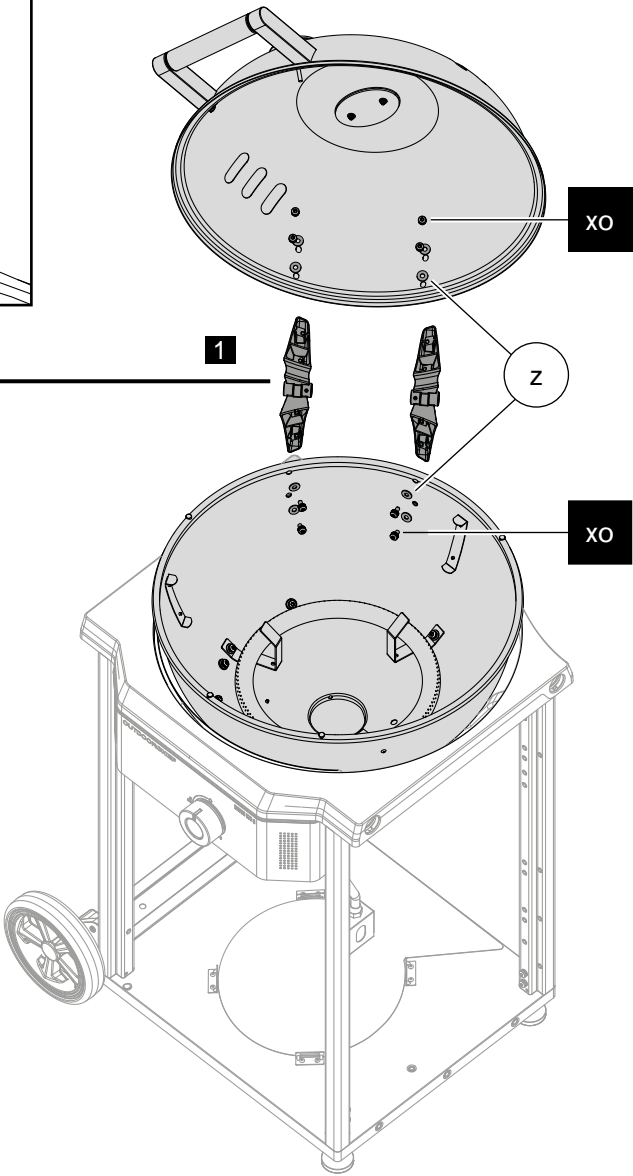
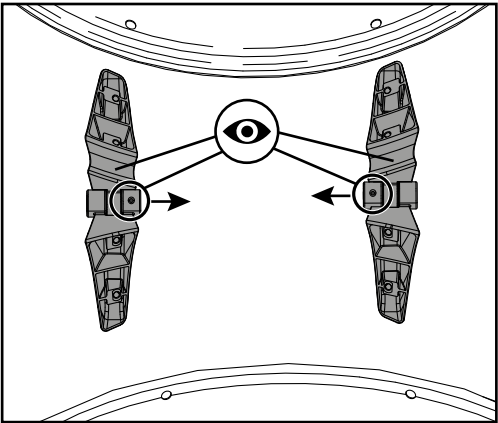
2



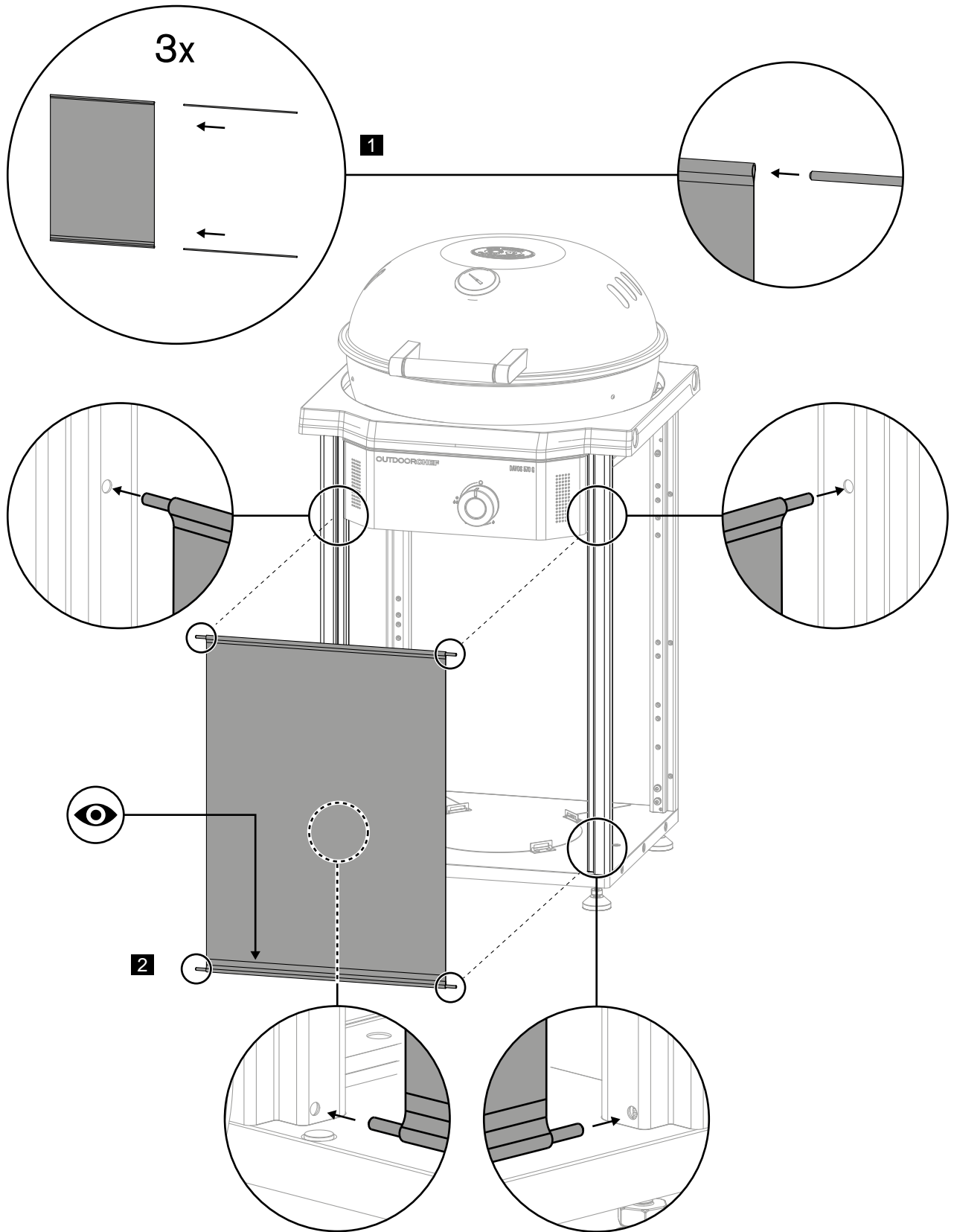
DAVOS 570 G

23.

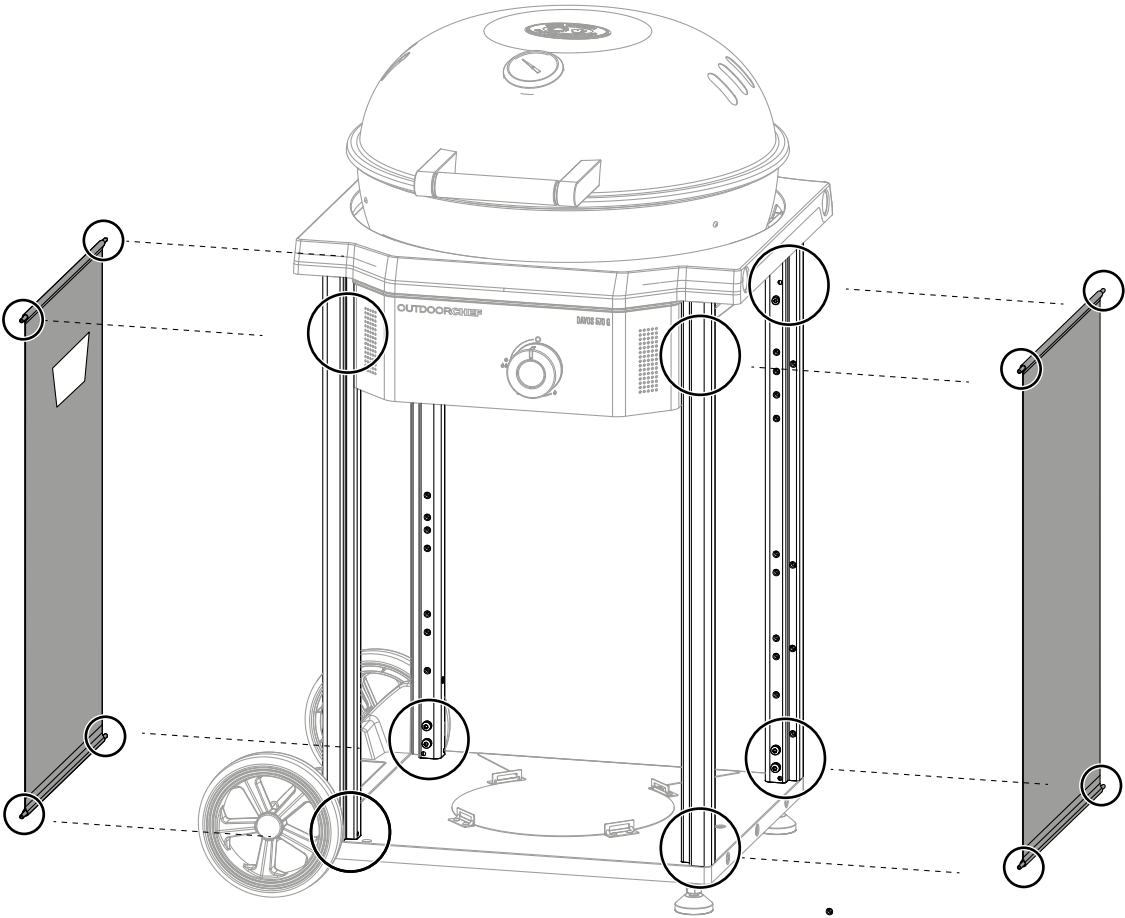
| | |
|-------|------|
| az x1 | |
| xo x8 | z x8 |



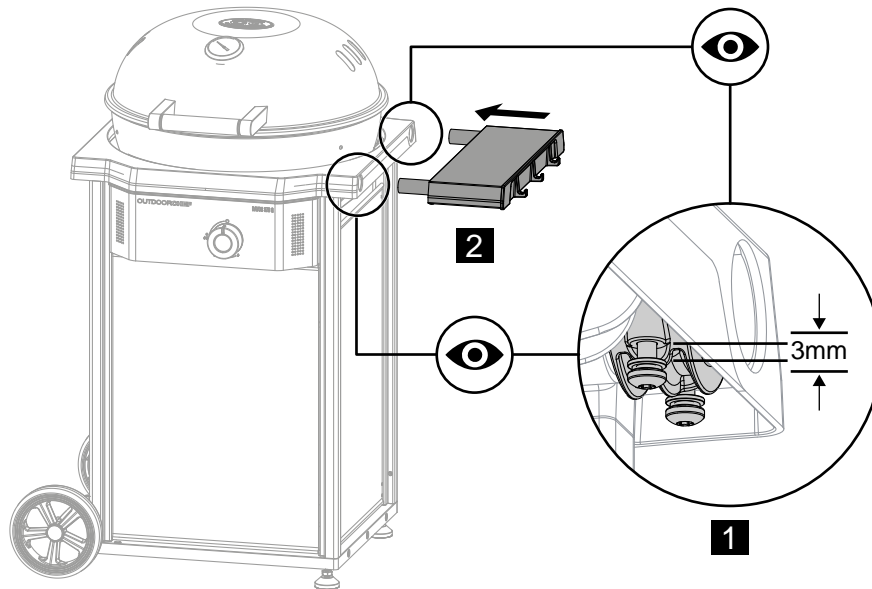
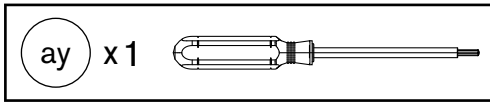
24.



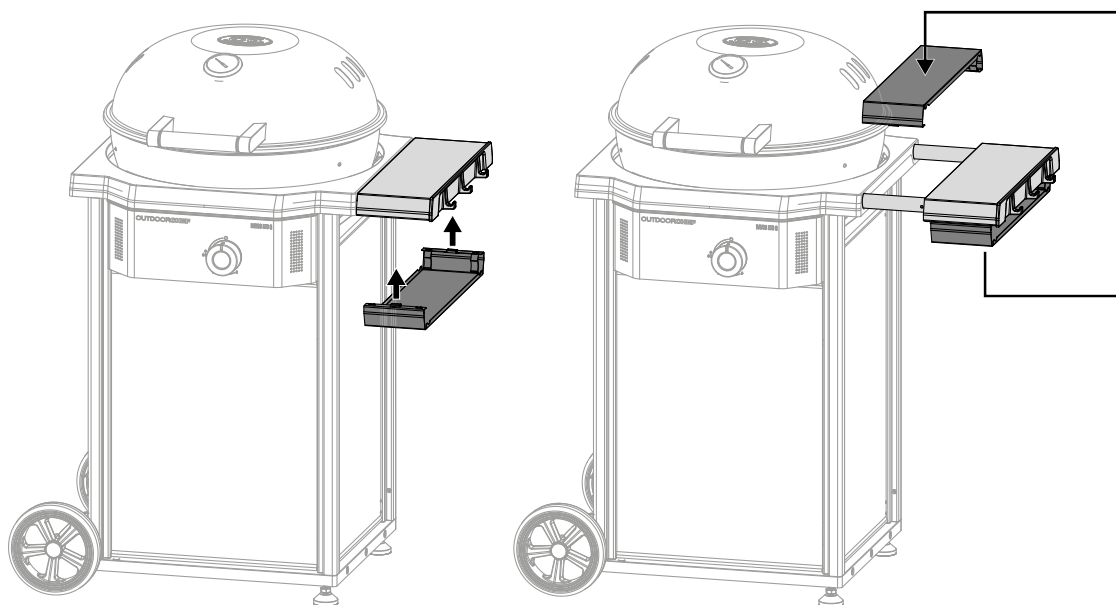
25.



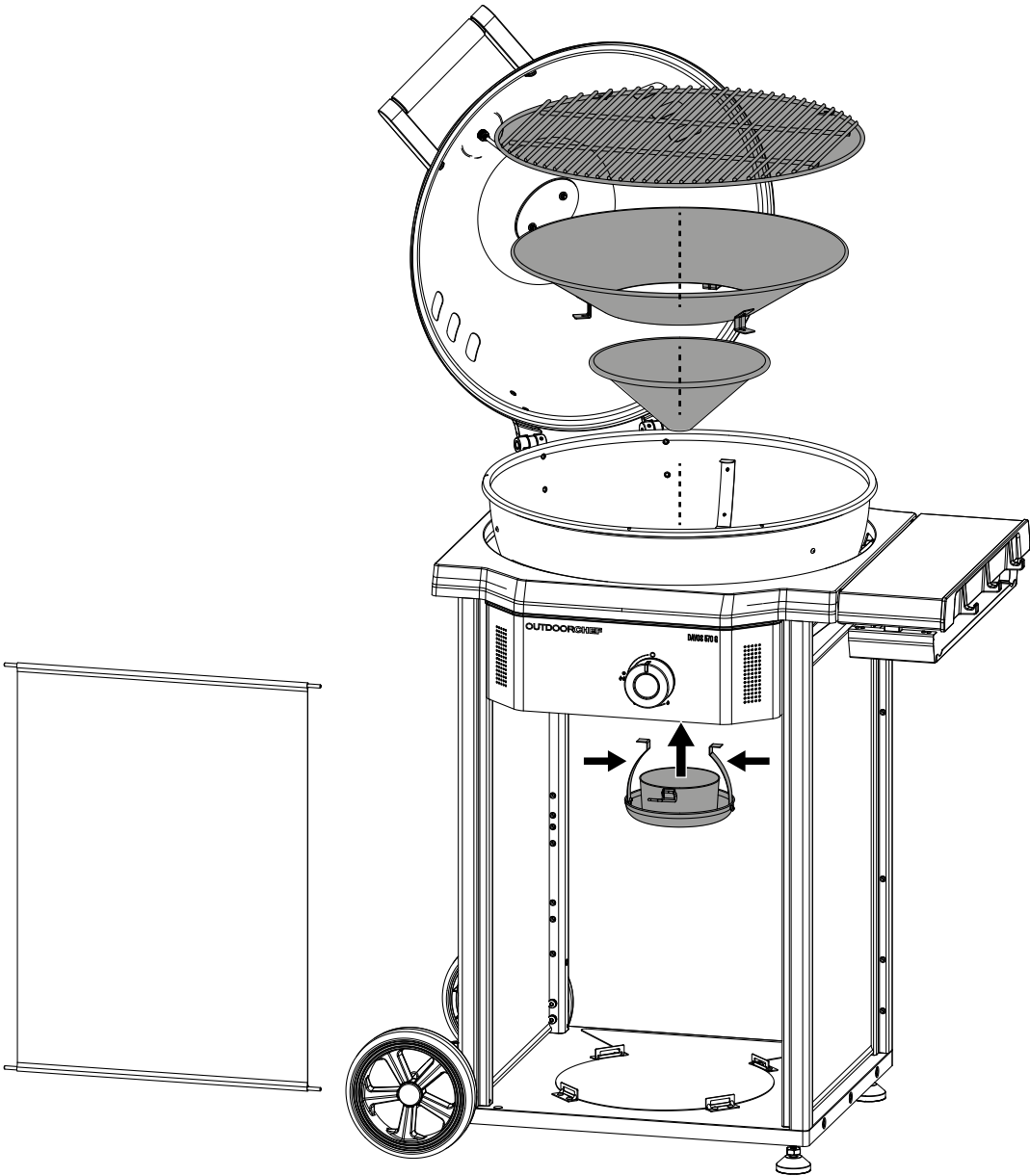
26.



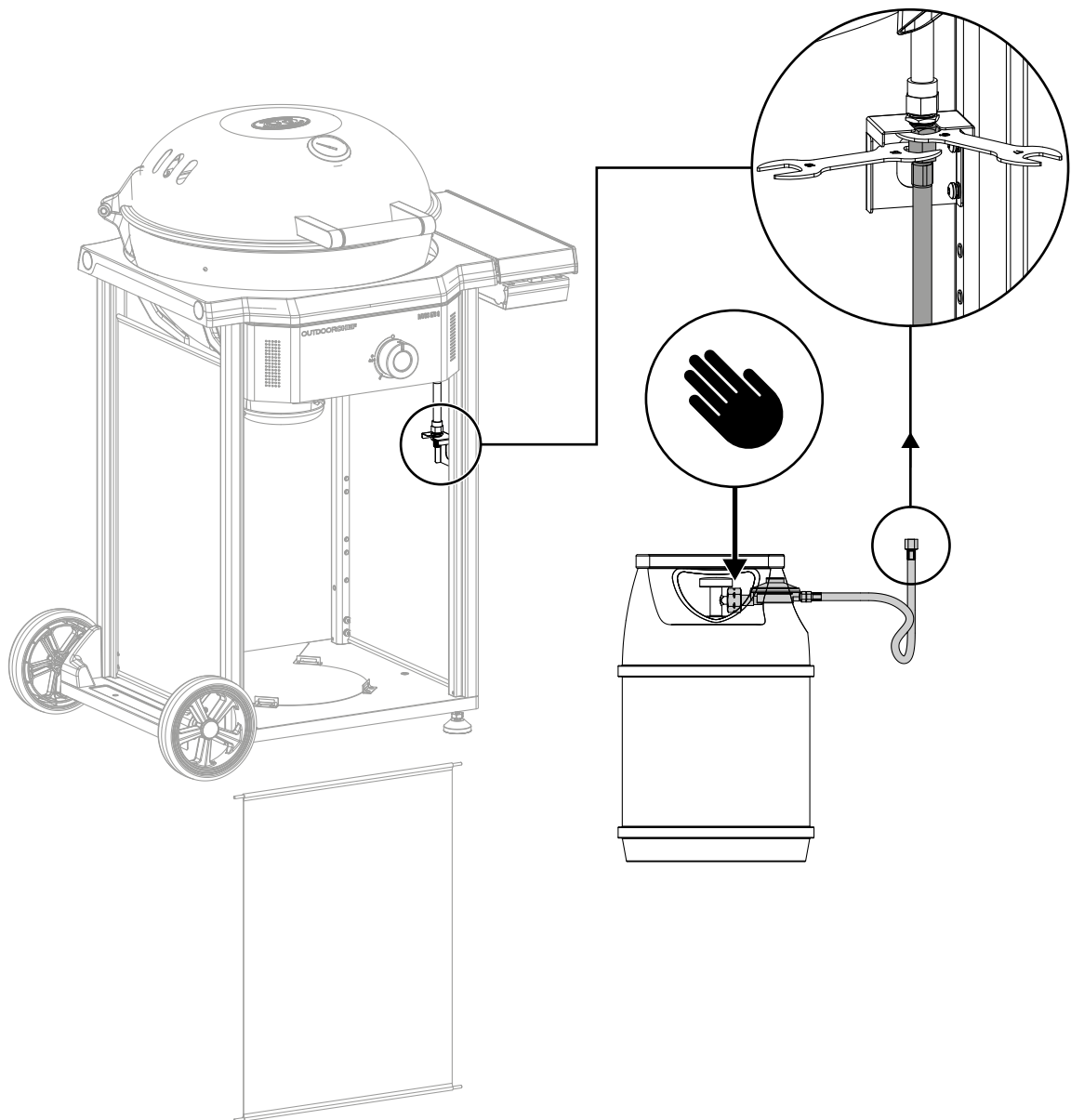
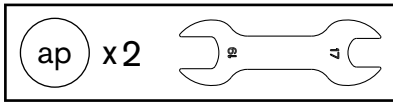
27.



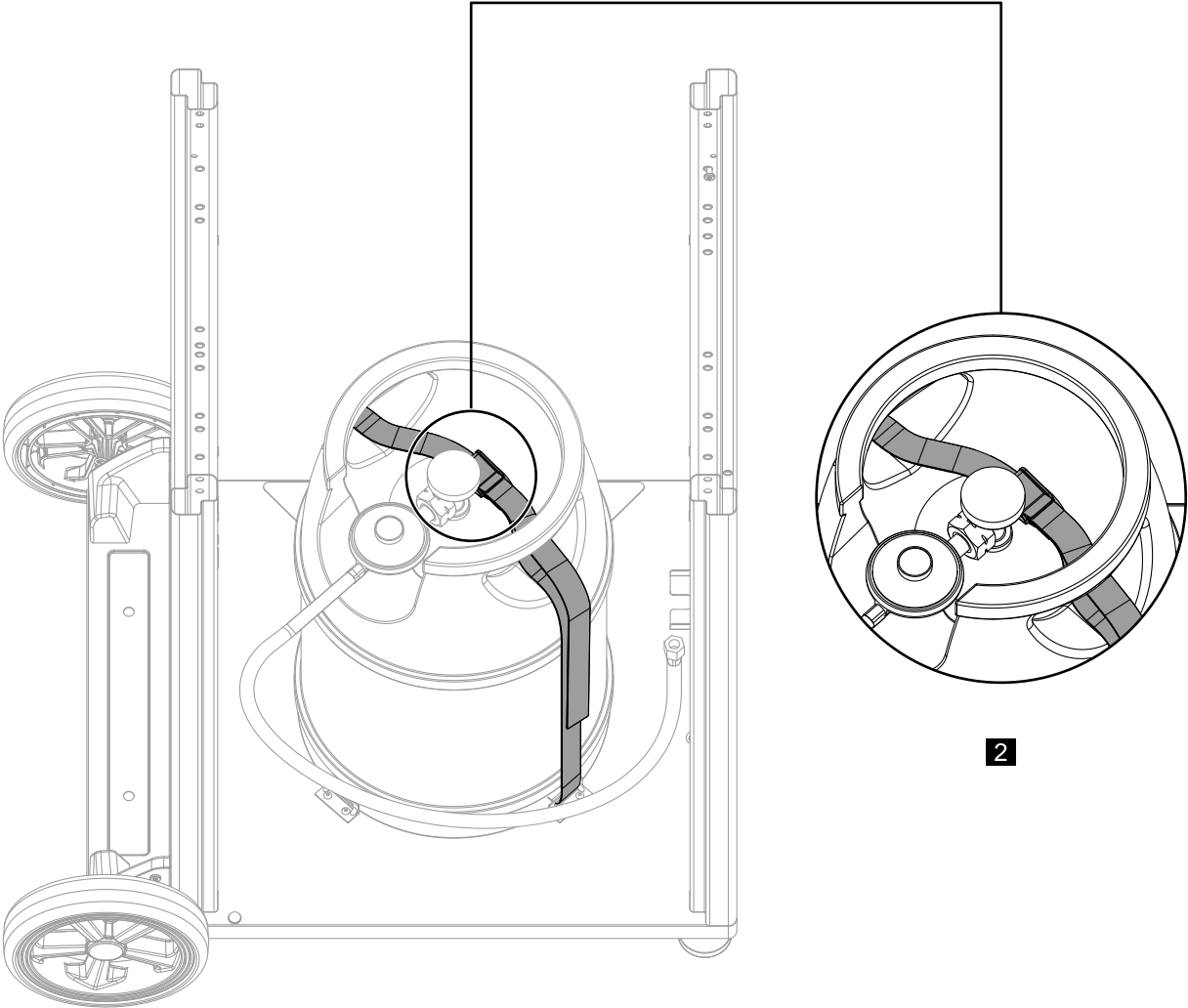
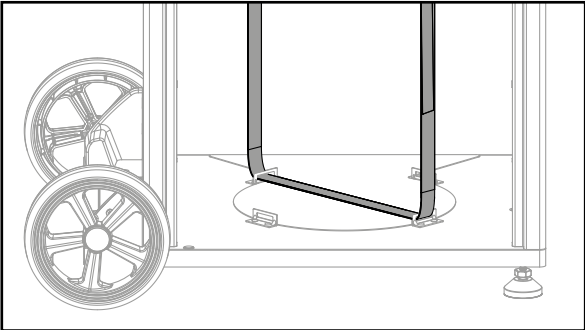
28.



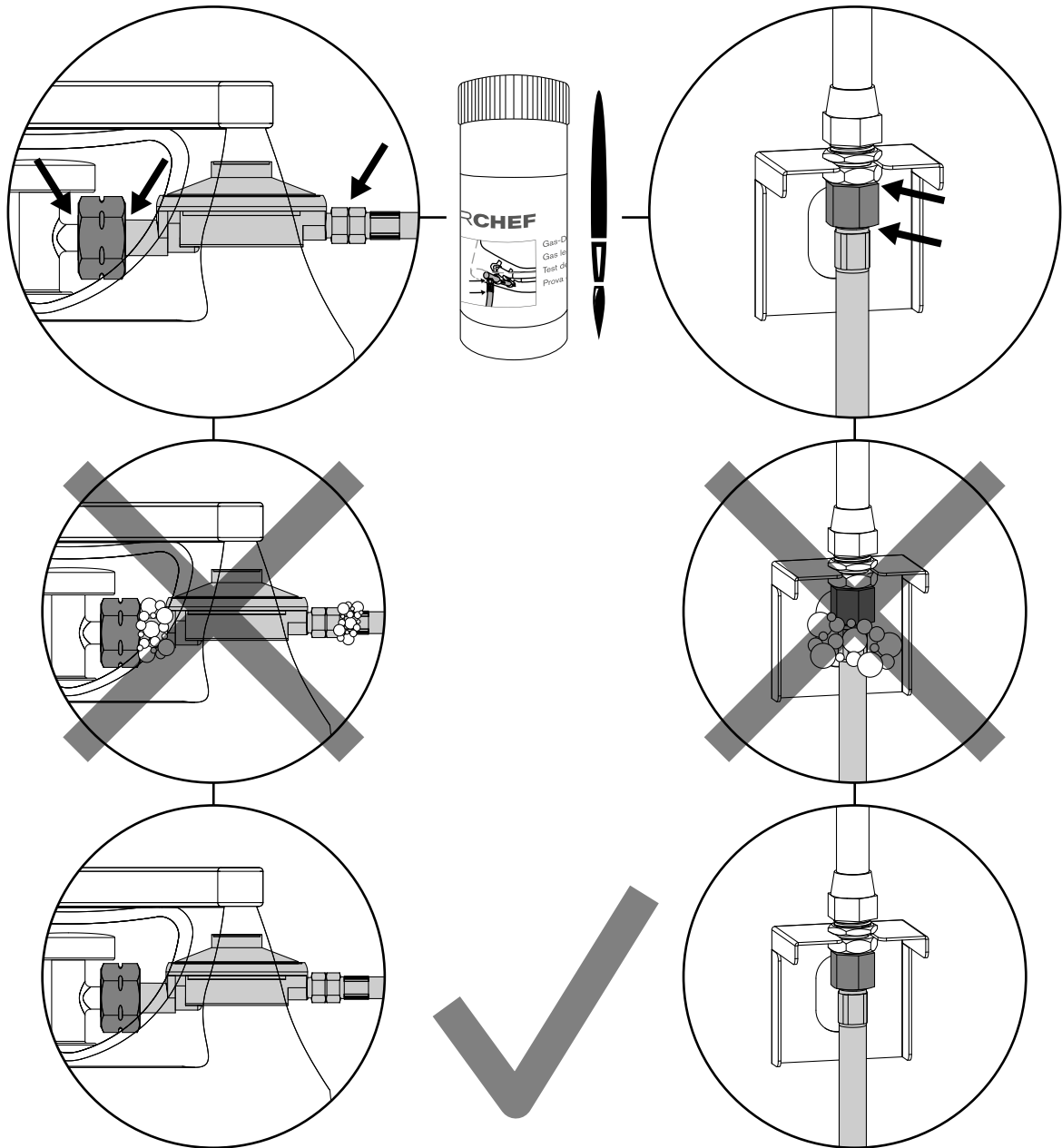
29.



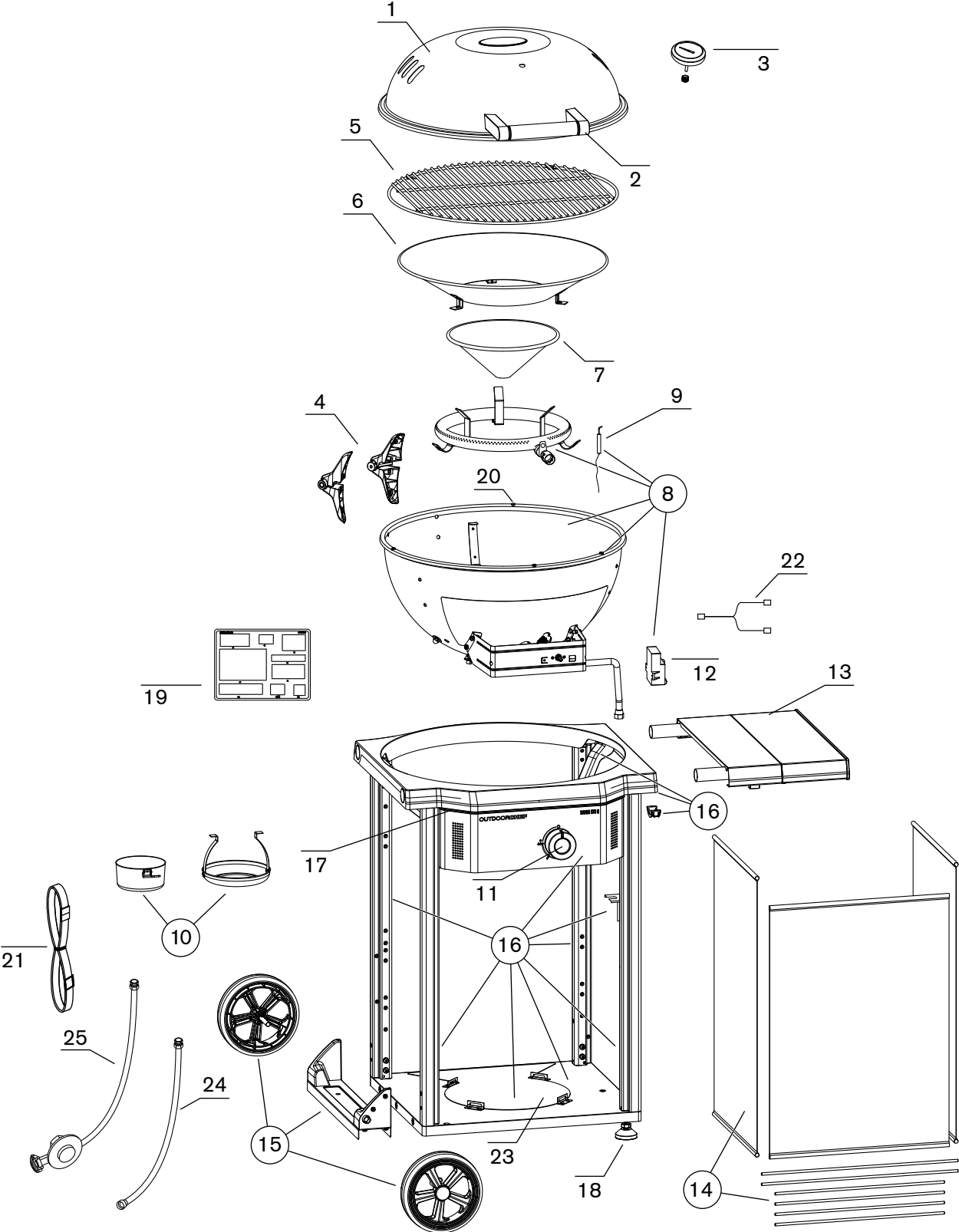
30.



31.



DAVOS 570 G



| SPAREPARTS | | | ERSATZTEIL-LISTE |
|------------|-----------|--|--|
| Pos. | Art. Nr. | Description | Beschreibung |
| 1 | 18.350.96 | Lid, black | Deckel, schwarz |
| 2 | 18.324.11 | Lid handle cubic | Deckelgriff cubic |
| 3 | 18.850.26 | Heat indicator °C/°F | Temperatur Anzeiger °C/°F |
| 4 | 18.324.12 | Lid Hinge set | Deckelscharnier Set |
| 5 | 18.320.00 | Cooking grid | Grillrost |
| 6 | 18.324.08 | Large Funnel | Grosser Trichter |
| 7 | 18.320.03 | Small Funnel | Kleiner Trichter |
| 8 | 18.900.20 | Bowl complete Davos 50mbar | Kugel komplett Davos 50mbar |
| 8 | 18.900.21 | Bowl complete Davos 30mbar | Kugel komplett Davos 30mbar |
| 9 | 18.341.35 | Electrode | Elektrode |
| 10 | 18.900.07 | Drip pan Set | Fettauffangschale Set |
| 11 | 18.360.90 | Control Knob safety light | Gasregulierknopf mit Kontrolllicht |
| 12 | 18.730.37 | Pulse ignition (2 outputs) | Elektrozündung (2 Ausgänge) |
| 13 | 18.215.11 | Side table / black | Seitentablar / schwarz |
| 14 | 18.361.06 | Textil | Textil |
| 15 | 18.900.10 | Wheel and Axle Davos | Rad und Achse Davos |
| 16 | 18.900.11 | Trolley complete Davos | Fahrgestell Davos komplett |
| 17 | 18.361.09 | Silicon decor | Zierleiste Silicon |
| 18 | 18.360.37 | Height adjustment | Höhenverstellung |
| 19 | 18.379.65 | Hardware set Davos | Schraubenset Davos |
| 20 | 18.360.86 | Protection pin | Schutzstift |
| 21 | 18.360.14 | Bottle strap | Flaschengurt |
| 22 | 18.341.36 | Y-connector type 2xB | Y-Stecker type 2xB |
| 23 | 18.361.12 | Protection foil Gas Tank | Schutzfolie Gasflasche |
| 24 | 14.911.38 | Gas hose & regulator CH | Gasschlauch & Regler CH |
| 24 | 14.911.40 | Gas hose & regulator DE,AT | Gasschlauch & Regler DE,AT |
| 24 | 14.911.42 | Gas hose & regulator DK,FI,IS,NO,PT,SP | Gasschlauch & Regler DK,FI,IS,NO,PT,SP |
| 24 | 14.911.51 | Gas hose & regulator IT, GR | Gasschlauch & Regler IT,GR |
| 24 | 14.911.47 | Gas hose & regulator BG | Gasschlauch & Regler BG |
| 24 | 14.911.43 | Gas hose & regulator GB | Gasschlauch & Regler GB |
| 24 | 14.911.58 | Gas hose & regulator HU | Gasschlauch & Regler HU |
| 24 | 14.911.56 | Gas hose & regulator MT | Gasschlauch & Regler MT |
| 24 | 14.911.49 | Gas hose & regulator PL | Gasschlauch & Regler PL |
| 24 | 14.911.47 | Gas hose & regulator SE | Gasschlauch & Regler SE |
| 24 | 14.911.53 | Gas hose & regulator AL,BA,HR,CZ,IL,LT,MK,MD,RO,RS,SK,SI | Gasschlauch & Regler AL,BA,HR,CZ,IL,LT,MK,MD,RO,RS,SK,SI |
| 25 | 14.921.25 | Gas hose FR | Gasschlauch FR |



Outdoorchef AG | Eggbühlstrasse 28 | Postfach | 8050 Zürich | Switzerland
Outdoorchef Benelux B.V. | Databankweg 26 | 3821 AL Amersfoort | The Netherlands
Outdoorchef Austria GmbH | Handelskai 94-96 / 23rd & 24th F | 1200 Vienna | Austria
Outdoorchef Deutschland GmbH | Ochsenmattstr. 10 | 79618 Rheinfelden | Germany